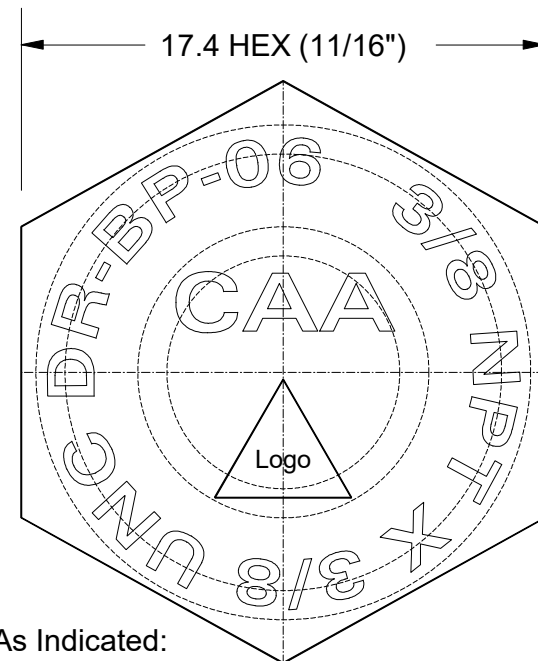
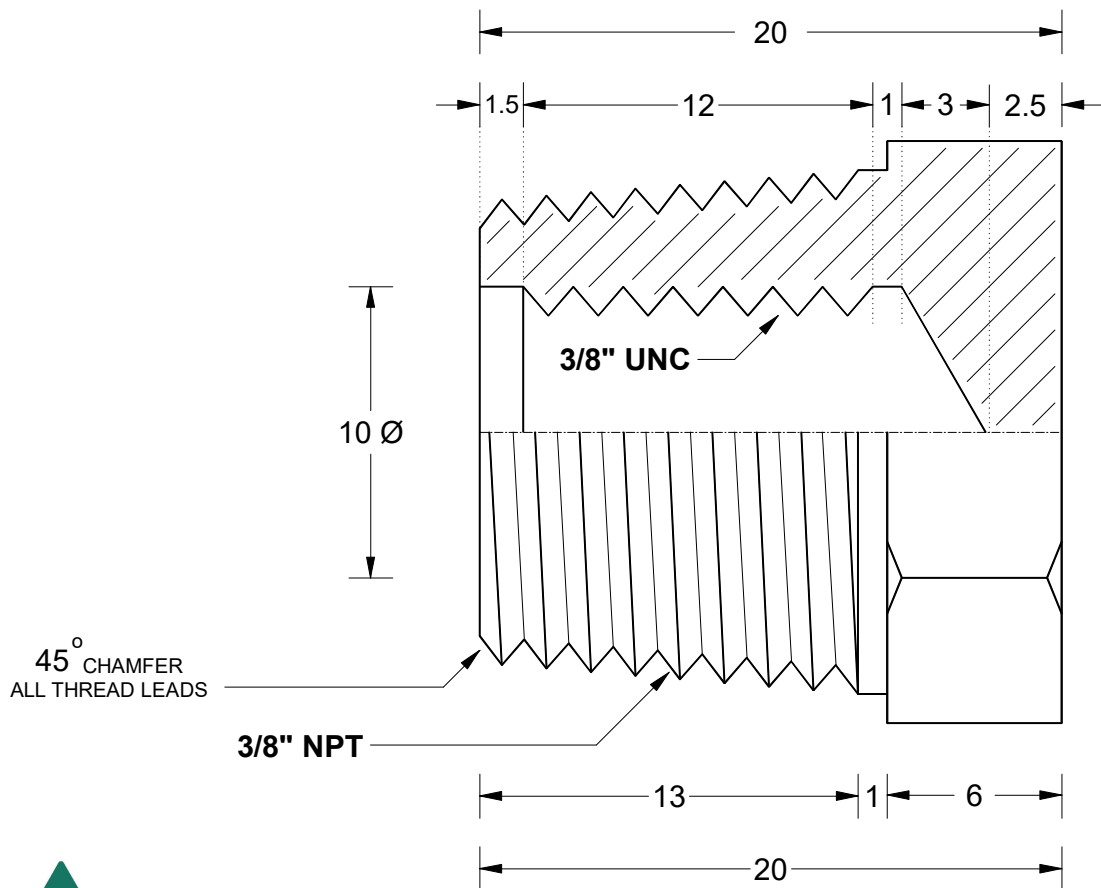



This drawing is the property of Cathodic Anodes Australasia. To be used with permission only. This drawing becomes an uncontrolled document once issued as hard or electronic copy. Customer to confirm current revision of drawing prior to ordering.



Stamping As Indicated:

3/8 NPT X 3/8 UNC DR-BP-06 CAA

Font Size - Approximately 3 mm

As per Samples Supplied in June 2020  = Australian Made Logo



MATERIAL: Dezincification Resistant Brass
AS 1567 Grade 352
 (UNS Equivalent C35330)

3/8" NPT x 3/8" UNC

Rev	Details of Change(s)	Date	Initials
1	Cathodic Diecasting (Auto-cad)	13 JUN 05	G.P.C.
2	2013 Catalogue Version (CAA Logo)	23 FEB 13	R.N.
3	Hex Head Stamping Added	14 MAR 19	R.N.
4	Stamping On Head Changed	09 NOV 20	R.N.




Cathodic Anodes Australasia

cathodicanodes.com.au

Product
D.R. Brass Plug for Zinc Anode(s)

Part no. BP06 (Brass Plug 06)	Scale N.T.S.
---	------------------------

Drawing No: CDQ-225	Rev 5	Sheet 1 of 1
----------------------------	-----------------	------------------------

Drawn by: R Northey	Date: 09 NOV 2020	
---------------------	-------------------	---