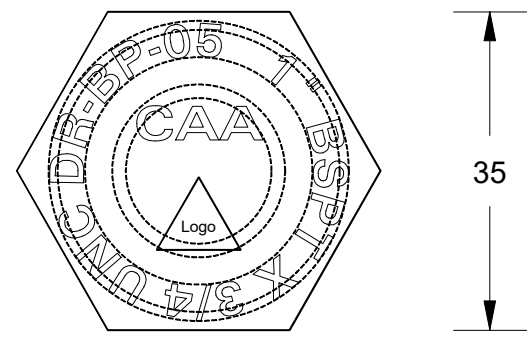
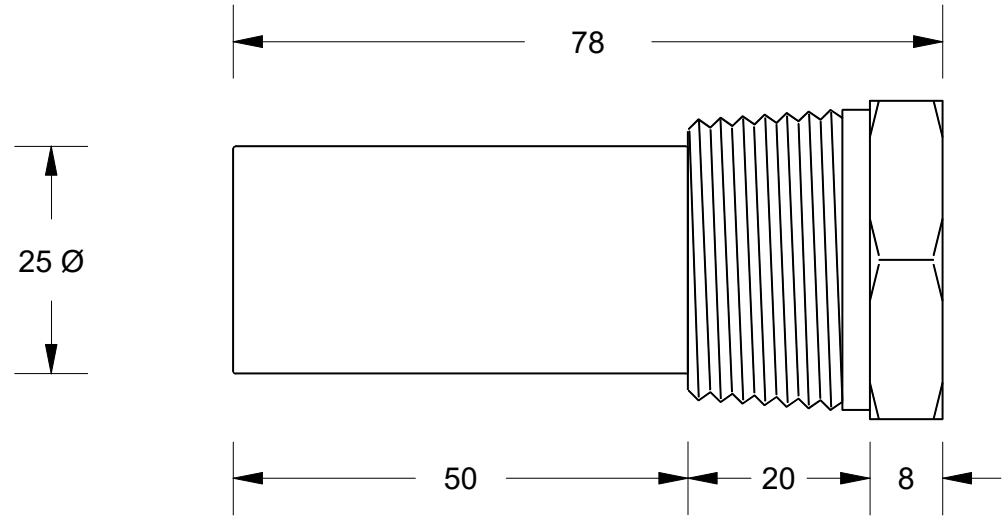
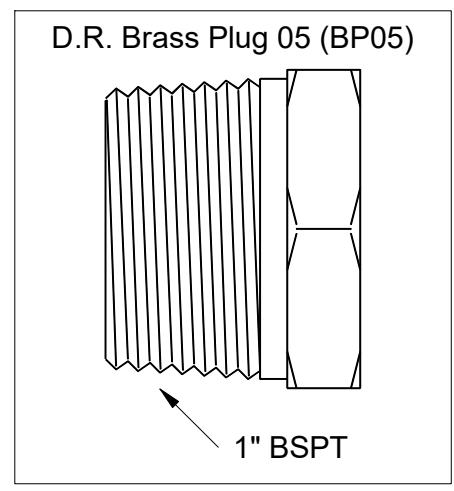
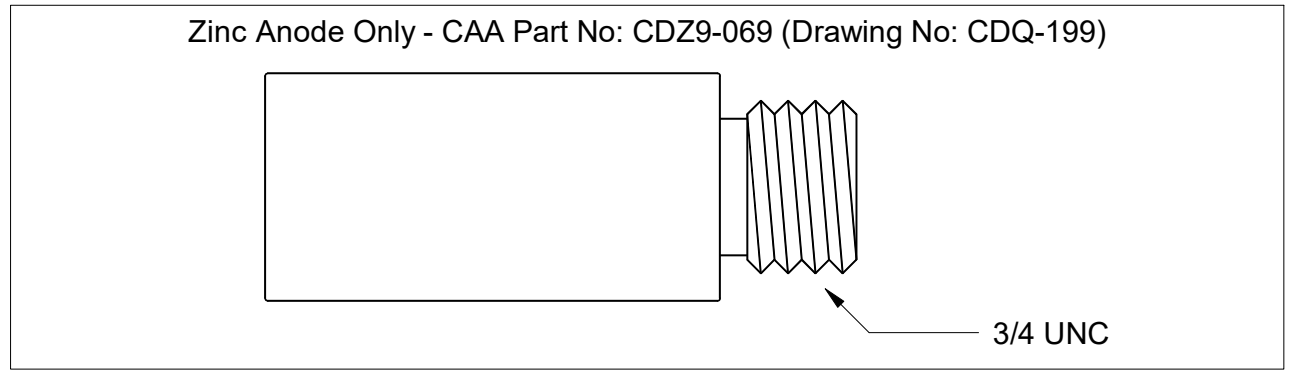


COMBINATION SET - Individual Components Shown At Top - Plug Material: DEZINCIFICATION RESISTANT BRASS

This drawing is the property of Cathodic Anodes Australasia. To be used with permission only. This drawing becomes an uncontrolled document once issued as hard or electronic copy. Customer to confirm current revision of drawing prior to ordering.



NO SHARP EDGES
 Logo = Australian Made Logo

All dimensions are in mm (nominal)

| Chemical Composition Limits | | | Alloy: Z1 |
|---|-----------|-------|---------------------|
| Standard: AS2239* (Most current revision) | | | |
| Element | min. | max. | |
| Zinc | | | |
| Cadmium | 0.025 | 0.07 | |
| Aluminium | 0.10 | 0.50 | |
| Silicon | - | 0.005 | |
| Copper | - | 0.005 | |
| Iron | - | 0.005 | |
| Lead | - | 0.006 | |
| Other Impurities | | | |
| - each | - | 0.005 | |
| - total | - | 0.02 | |
| Zinc | remainder | | |

- Notes
- Anodes are cast to comply with CAA's standard casting tolerances
 - All sharp edges removed for safe handling
 - Anode insert material to meet relevant Australian/International specifications

| Rev | Details of Change(s) | Date | Drawn | Verified |
|-----|--|---------------|-------|----------|
| 1 | Cathodic Diecasting Original | 15 June 2004 | GPC | R.G. |
| 2 | 2013 Catalogue Version (CAA Logo) | 13 April 2015 | R.N. | R.G. |
| 3 | Stamping & Logo added to DR Brass Plug | 10 Nov 2020 | R.N. | R.G. |
| 4 | Updated drawing information | 24 Feb 2022 | B.G. | |

| Nett Weight | Gross Weight |
|--------------|--------------|
| Kg (nominal) | Kg (nominal) |
| 0.190 | 0.340 |

Cathodic Anodes Australasia

cathodicanodes.com.au

| Product | |
|---------------------------------------|-------------------|
| Zinc Anode & DR Brass Plug | |
| Part no. | Scale |
| CDZ9-068 | 1.25 : 1 |
| Drawing No: | Rev Sheet |
| CDQ-198 | 4 1 of 1 |
| Drawn by: R Northey | Date: 10 NOV 2020 |

