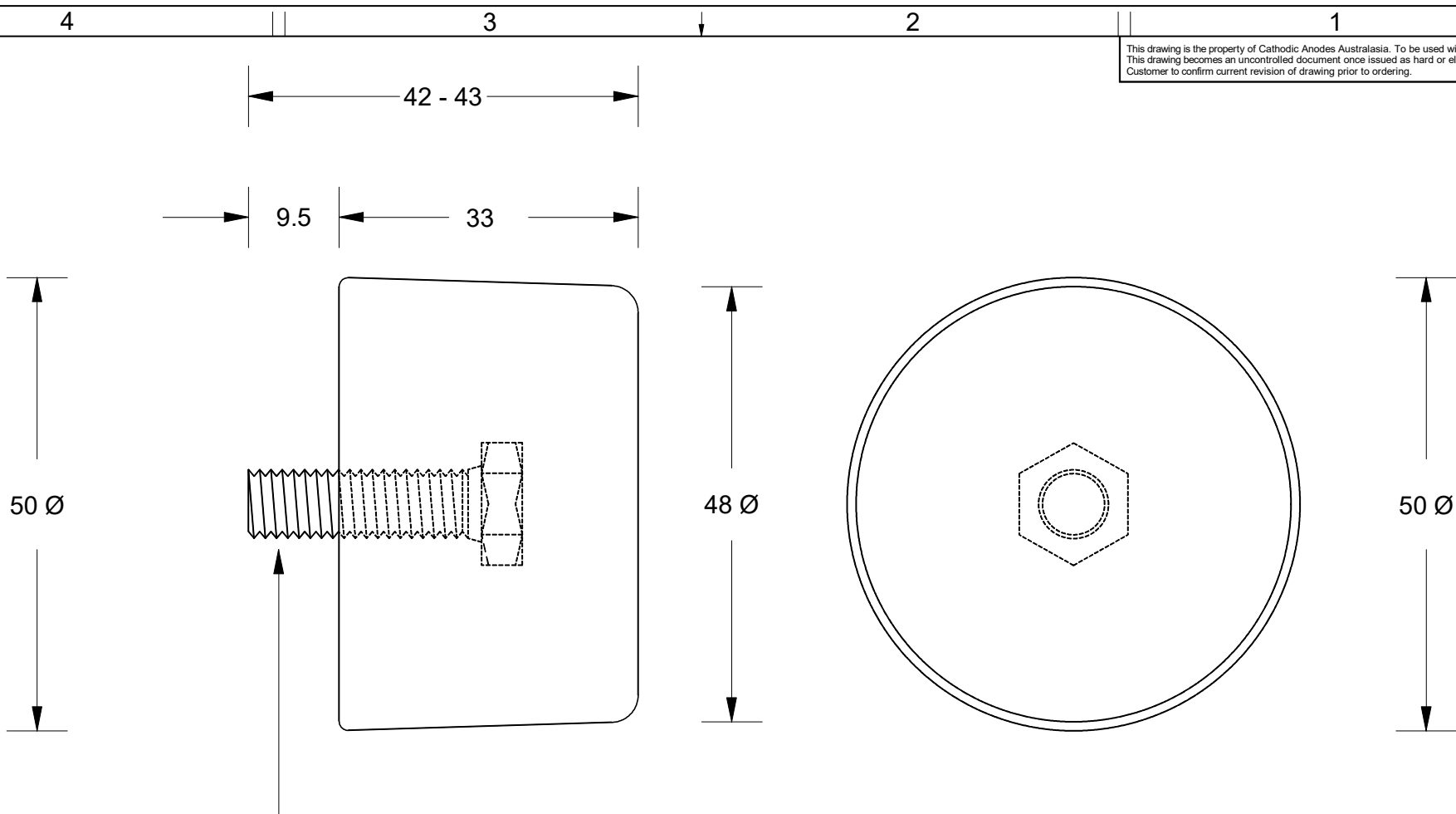


This drawing is the property of Cathodic Anodes Australasia. To be used with permission only.
 This drawing becomes an uncontrolled document once issued as hard or electronic copy.
 Customer to confirm current revision of drawing prior to ordering.



1/4" UNC Stainless Steel STUD

Chemical Composition Limits			Alloy:
Standard: AS2239* (Most current revision)			Z1
Zinc			
Element	min.	max.	
Cadmium	0.025	0.07	
Aluminium	0.10	0.50	
Silicon	-	0.005	
Copper	-	0.005	
Iron	-	0.005	
Lead	-	0.006	
Other Impurities			
- each	-	0.005	
- total	-	0.02	
Zinc	remainder		

* Corresponds to MIL-DTL-18001L alloy composition

Notes

1. Anodes are cast to comply with CAA's standard casting tolerances
2. All sharp edges removed for safe handling
3. Anode insert material to meet relevant Australian/International specifications



All dimensions are in mm (nominal)

Rev	Details of Change(s)	Date	Drawn	Verified
1	For Manufacture	05 February 2015	R.N.	B.L.

Nett Weight Kg (nominal)	Gross Weight Kg (nominal)
N/A	0.32
Date	Drawn
05 February 2015	R.N.



Cathodic Anodes Australasia

cathodicanodes.com.au

Product		Zinc Anode	
Part no.	Scale	1.5 : 1	
CDZC6-50B Type 4	Rev	Sheet	
Drawing No: CD3904	1	1 of 1	
Drawn by: R Northey	Date: 05 FEB 2014		