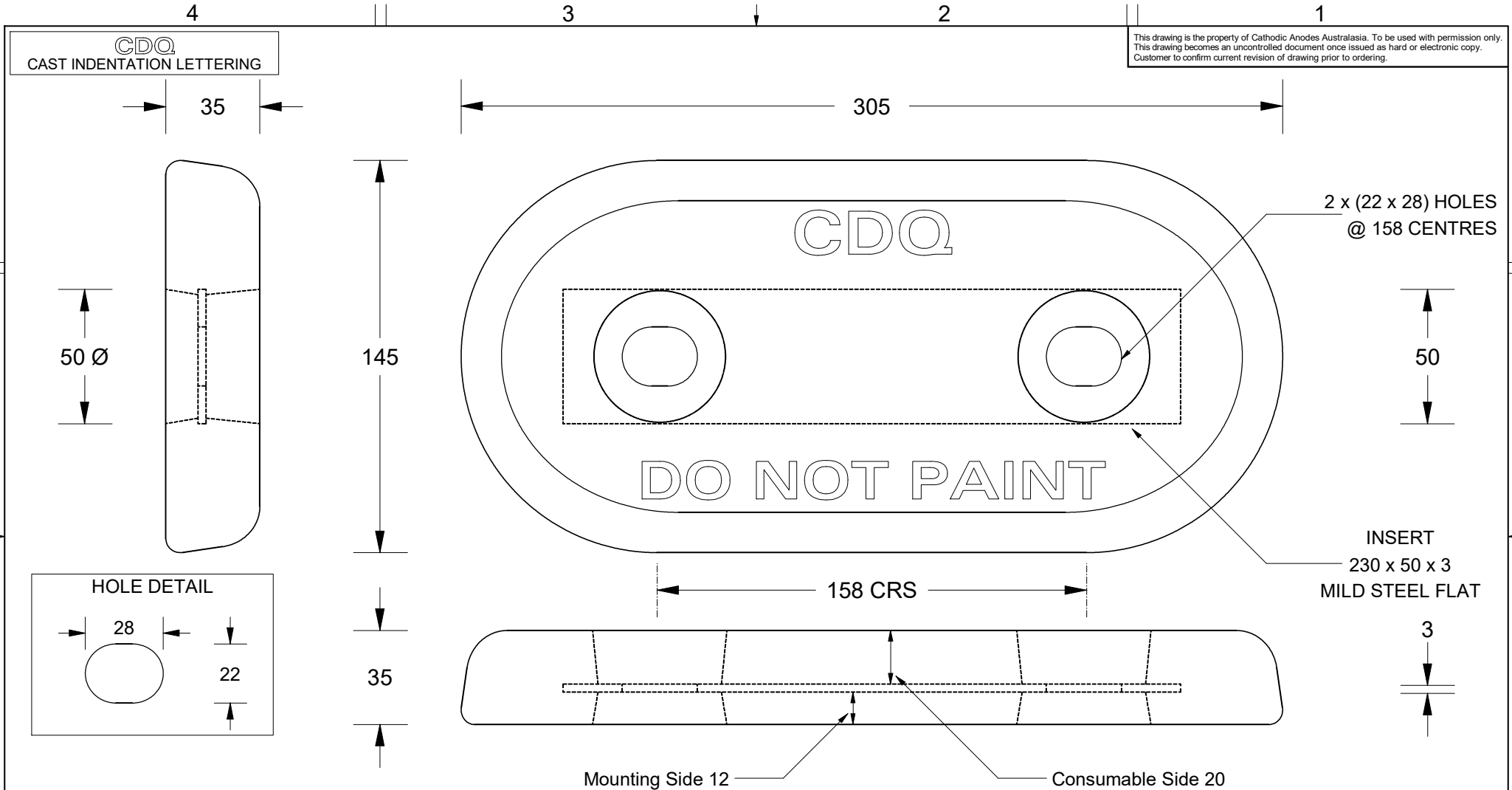


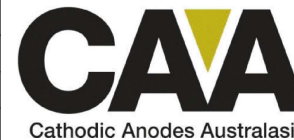
This drawing is the property of Cathodic Anodes Australasia. To be used with permission only. This drawing becomes an uncontrolled document once issued as hard or electronic copy. Customer to confirm current revision of drawing prior to ordering.



- Notes
1. Anodes are cast to comply with CAA's standard casting tolerances
 2. All sharp edges removed for safe handling
 3. Anode insert material to meet relevant Australian/International specifications



Nett Weight Kg (nominal)	Gross Weight Kg (nominal)
3.00	3.30



Cathodic Anodes Australasia

cathodicanodes.com.au

Product Aluminium Anode	
Part no. CDA-3H Type 3 (A1)	Scale 1 : 2
Drawing No: CD3787	Rev 1 Sheet 1 of 1
Drawn by: R Northey Date: 16 JUN 2014	
Mould No: 96 Strap Sample: 51	

Chemical Composition Limits Standard: AS2239 (Most current revision)	Alloy: A1	
Element	min.	max.
Zinc	2.1	2.7
Indium	0.017	0.025
Cadmium	0.008	0.012
Silicon	-	0.20
Iron	-	0.12
Copper	-	0.006
Other Impurities	-	-
- each	-	0.02
- total	-	0.05
Aluminium	remainder	

Rev	Details of Change(s)	Date	Drawn	Verified
1	For Manufacture	16 June 2014	R.N.	J.L.

All dimensions are in mm (nominal)