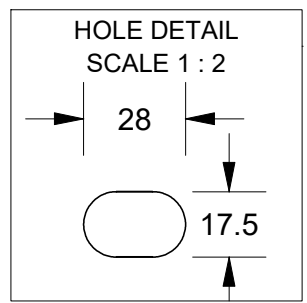
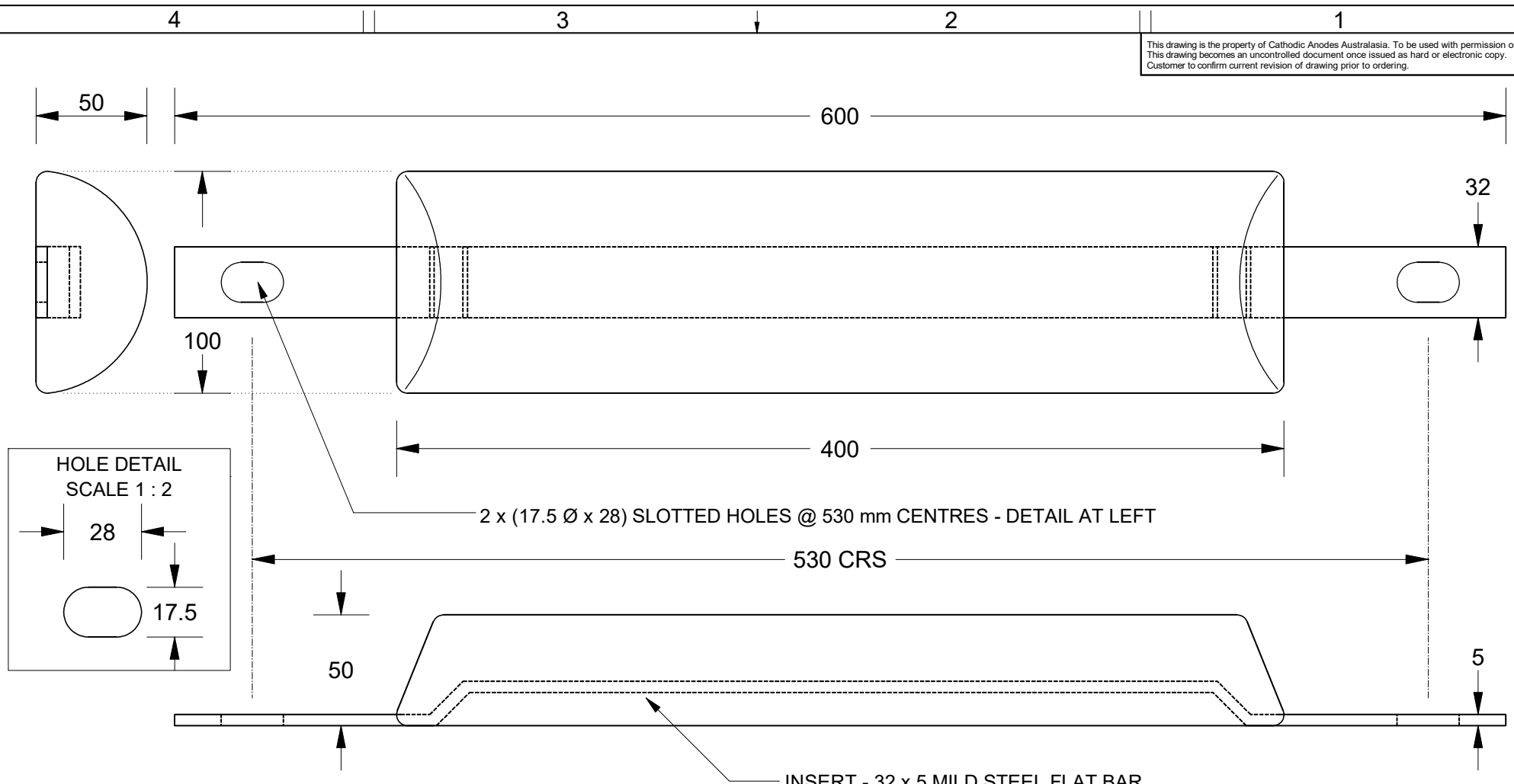


This drawing is the property of Cathodic Anodes Australasia. To be used with permission only. This drawing becomes an uncontrolled document once issued as hard or electronic copy. Customer to confirm current revision of drawing prior to ordering.



Chemical Composition Limits		Alloy:
Standard: AS2239* (Most current revision)		Z1
Zinc		
Element	min.	max.
Cadmium	0.025	0.07
Aluminium	0.10	0.50
Silicon	-	0.005
Copper	-	0.005
Iron	-	0.005
Lead	-	0.006
Other Impurities		
- each	-	0.005
- total	-	0.02
Zinc	remainder	

* Corresponds to MIL-DTL-18001L alloy composition

- Notes
1. Anodes are cast to comply with CAA's standard casting tolerances
 2. All sharp edges removed for safe handling
 3. Anode insert material to meet relevant Australian/International specifications



Rev	Details of Change(s)	Date	Drawn	Verified
1	For Manufacture	28 January 2014	R.N.	J.L.

Nett Weight
Kg (nominal)
10.0

Gross Weight
Kg (nominal)
10.8

CAA
Cathodic Anodes Australasia

cathodicanodes.com.au

Product Zinc Anode		Scale 1 : 2.5	
Part no. Siemens Anode		Rev 1	Sheet 1 of 1
Drawing No: CD3735		Drawn by: R Northey Date: 28 JAN 2014	

All dimensions are in mm (nominal)