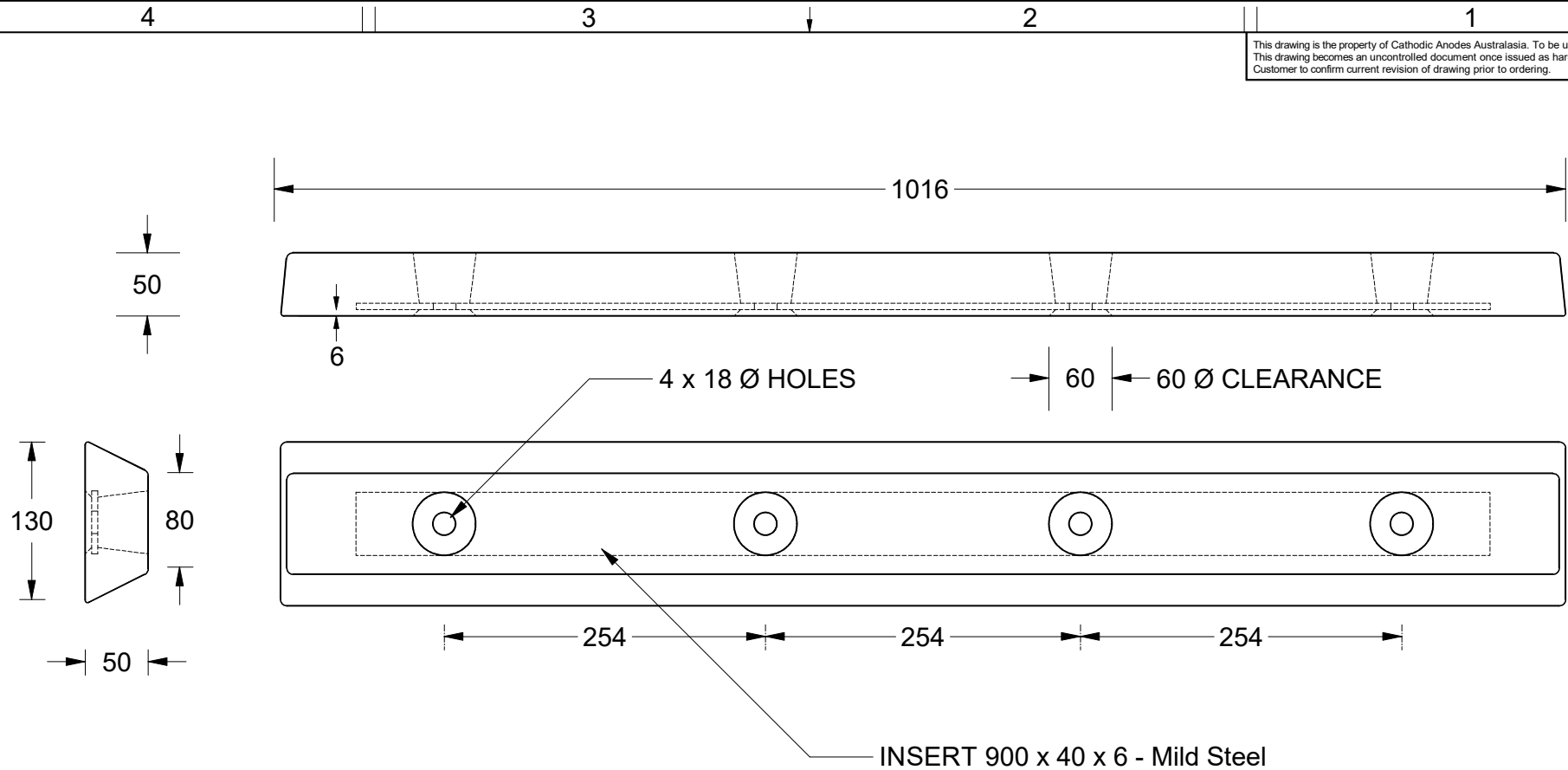


This drawing is the property of Cathodic Anodes Australasia. To be used with permission only. This drawing becomes an uncontrolled document once issued as hard or electronic copy. Customer to confirm current revision of drawing prior to ordering.



D.S.N. / N.S.N.
5342-66-056-5613
Navy Drawing No:
A0 15644

INSERT MATERIAL: 900 x 40 x 6 - Mild Steel AS3679.1 - GRADE 250 MIN

Notes

1. Anodes are cast to comply with CAA's standard casting tolerances
2. All sharp edges removed for safe handling
3. Anode insert material to meet relevant Australian/International specifications

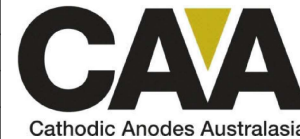


All dimensions are in mm (nominal)

Chemical Composition Limits		Alloy:
Standard: AS2239 (Most current revision)		A1
Aluminium		
Element	min.	max.
Zinc	2.1	2.7
Indium	0.017	0.025
Cadmium	0.008	0.012
Silicon	-	0.20
Iron	-	0.12
Copper	-	0.006
Other Impurities	-	-
- each	-	0.02
- total	-	0.05
Aluminium	remainder	

Rev	Details of Change(s)	Date	Drawn	Verified
1	Cathodic Diecasting Original	11 December 2012	R.N.	J.L.

Nett Weight	Gross Weight
Kg (nominal)	Kg (nominal)
13.0	14.8



Cathodic Anodes Australasia

cathodicanodes.com.au

Product		Aluminium Anode	
Part no.	Navy Type 4C Imperial	Scale	1 : 5
Drawing No:	CD3525	Rev	1
		Sheet	1 of 1
Drawn by: R Northey	Date: 11 DEC 2012		
Mould No:	Tooling:		