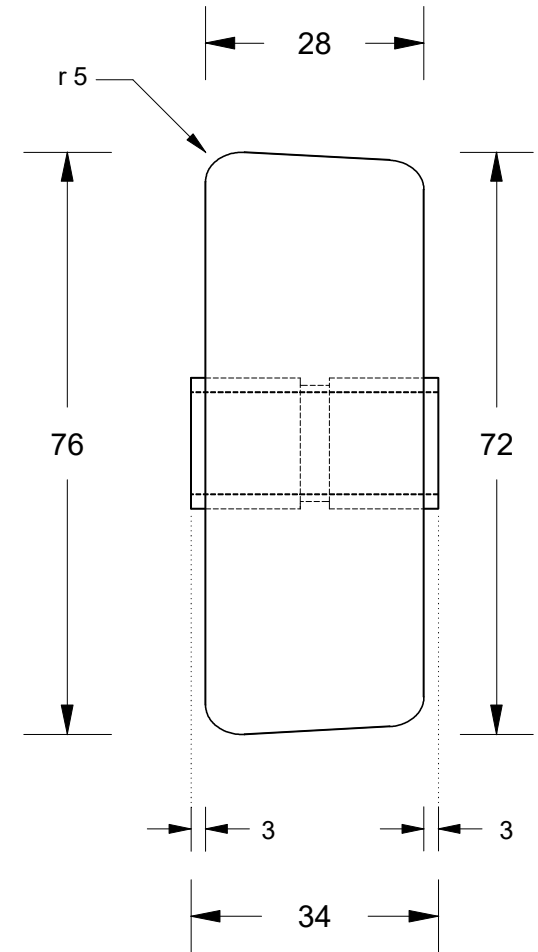
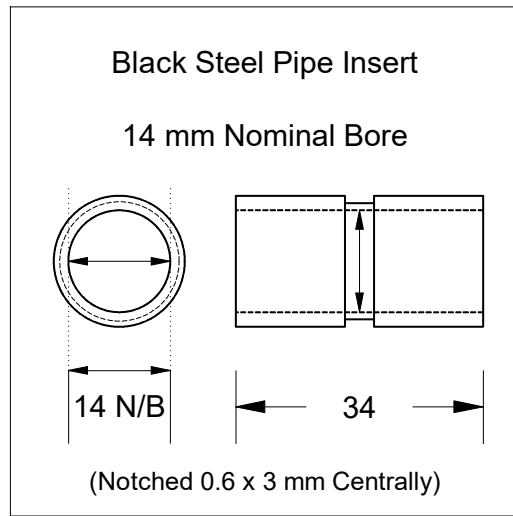


This drawing is the property of Cathodic Anodes Australasia. To be used with permission only.
 This drawing becomes an uncontrolled document once issued as hard or electronic copy.
 Customer to confirm current revision of drawing prior to ordering.



All dimensions are in mm (nominal)

Chemical Composition Limits			Alloy:
Standard: AS2239* (Most current revision)			Z1
Zinc			
Element	min.	max.	
Cadmium	0.025	0.07	
Aluminium	0.10	0.50	
Silicon	-	0.005	
Copper	-	0.005	
Iron	-	0.005	
Lead	-	0.006	
Other Impurities			
- each	-	0.005	
- total	-	0.02	
Zinc	remainder		

* Corresponds to MIL-DTL-18001L alloy composition

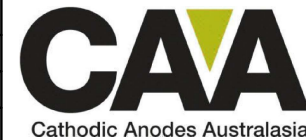
Notes

1. Anodes are cast to comply with CAA's standard casting tolerances
2. All sharp edges removed for safe handling
3. Anode insert material to meet relevant Australian/International specifications



Rev	Details of Change(s)	Date	Drawn	Verified
1	For Quotation	15 November 2012	R.N.	R.G.
2	Black Steel Pipe Insert, Nominal Bore = 14 mm	8 February 2020	R.N.	L.S.

Nett Weight Kg (nominal)	Gross Weight Kg (nominal)
0.970	1.0



cathodicanodes.com.au

Product Zinc Anode		Scale 1 to 1	
Part no. CDZ7-300-28HT		Rev 2	Sheet 1 of 1
Drawing No: CD3510			
Drawn by: R Northey Date: 8 FEB 2020			
Mould No: Customer's Tooling: N/A			