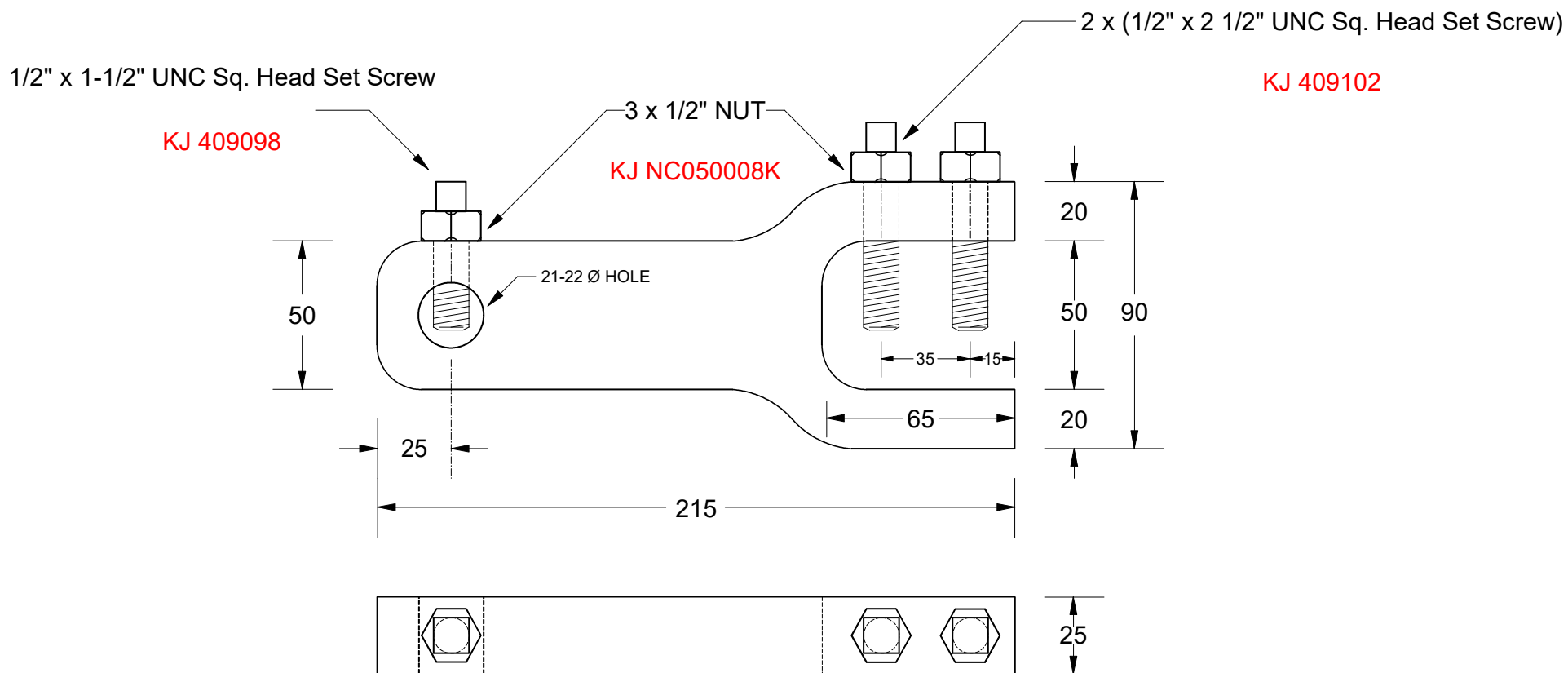



This drawing is the property of Cathodic Anodes Australasia. To be used with permission only.  
 This drawing becomes an uncontrolled document once issued as hard or electronic copy.  
 Customer to confirm current revision of drawing prior to ordering.



KJ 409102

Note: Square Head Set Screws to be  
 Cup Point Case Hardened  
 Ensure Supply Codes are used

Rev	Details of Change(s)	Date	Initials
1	For Manufacture	02 AUG 12	R.N.
2	Whitworth > UNC & Supply Codes added	26 SEP 13	R.N.
3	KJ Supplier Codes Updated	17 MAR 16	R.N.

 Cathodic Anodes Australasia cathodicanodes.com.au		Product	
		20 Ø Anode Mounting G Clamp	
Part no.		Scale	
N/A		1 : 2	
Drawing No: CD3454		Rev	Sheet
		3	1 of 1
Drawn by: R.N.		Date: 17 MAR 2016	
All dimensions are in mm (nominal)		