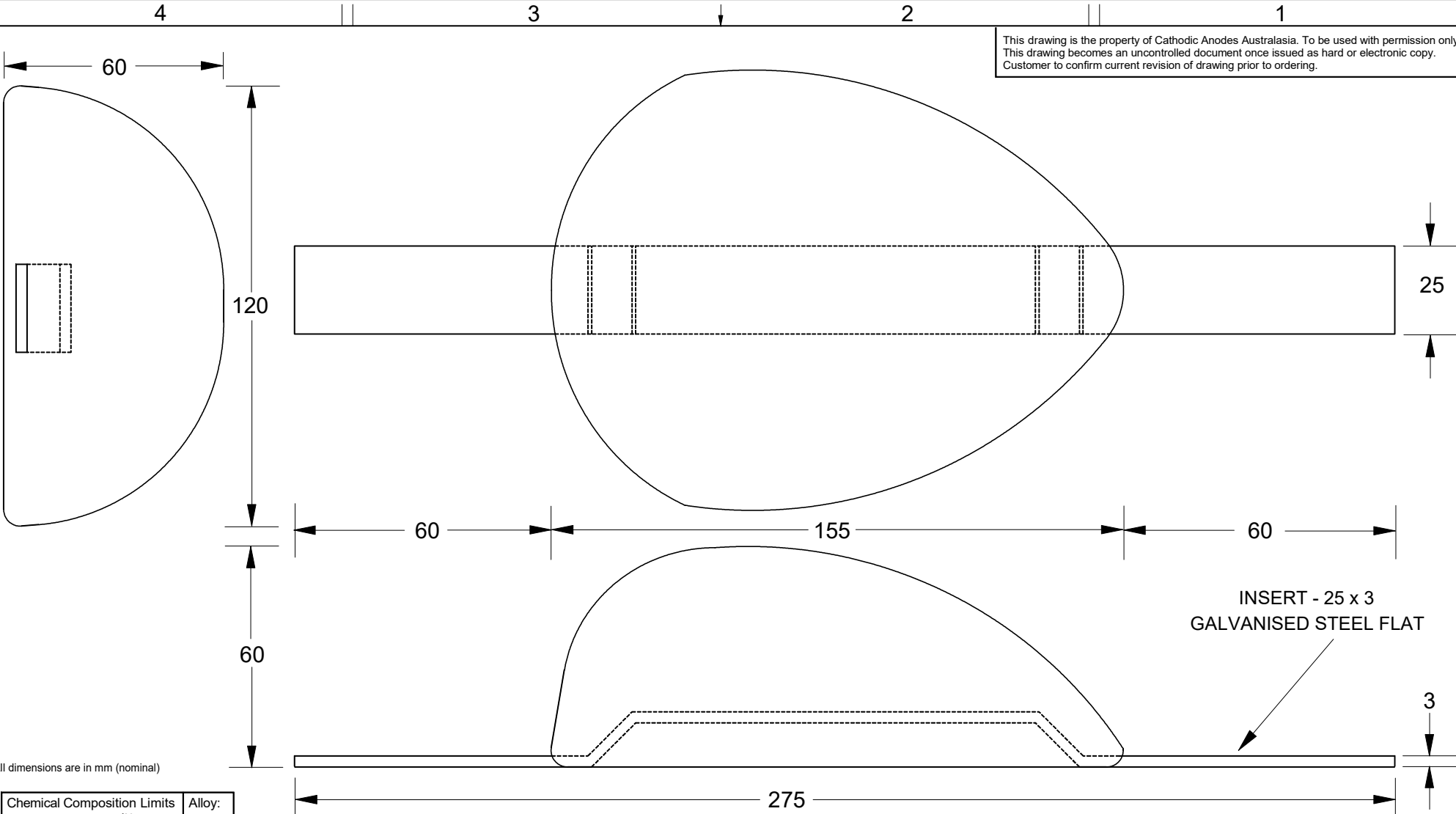


This drawing is the property of Cathodic Anodes Australasia. To be used with permission only.
 This drawing becomes an uncontrolled document once issued as hard or electronic copy.
 Customer to confirm current revision of drawing prior to ordering.



All dimensions are in mm (nominal)

Chemical Composition Limits			Alloy: Z1
Standard: AS2239* (Most current revision)			
Zinc			
Element	min.	max.	
Cadmium	0.025	0.07	
Aluminium	0.10	0.50	
Silicon	-	0.005	
Copper	-	0.005	
Iron	-	0.005	
Lead	-	0.006	
Other Impurities			
- each	-	0.005	
- total	-	0.02	
Zinc	remainder		

* Corresponds to MIL-DTL-18001L alloy composition

- Notes
1. Anodes are cast to comply with CAA's standard casting tolerances
 2. All sharp edges removed for safe handling
 3. Anode insert material to meet relevant Australian/International specifications



Rev		Details of Change(s)	Date	Drawn	Verified
1		Cathodic Diecasting Original	03 July 2012	R.N.	R.G.
2		2013 Catalogue Version (CAA Logo)	17 January 2014	R.N.	R.G.

Nett Weight Kg (nominal)	Gross Weight Kg (nominal)
4.00	4.20

CAA
Cathodic Anodes Australasia
cathodicanodes.com.au

Product Zinc Anode		Scale 1 : 1.5	
Part no. CDZ3-6S		Rev 2	Sheet 1 of 1
Drawing No: CD3427			
Drawn by: R Northey Date: 17 JAN 2014			
Mould No: 72	Strap Sample: 10		

