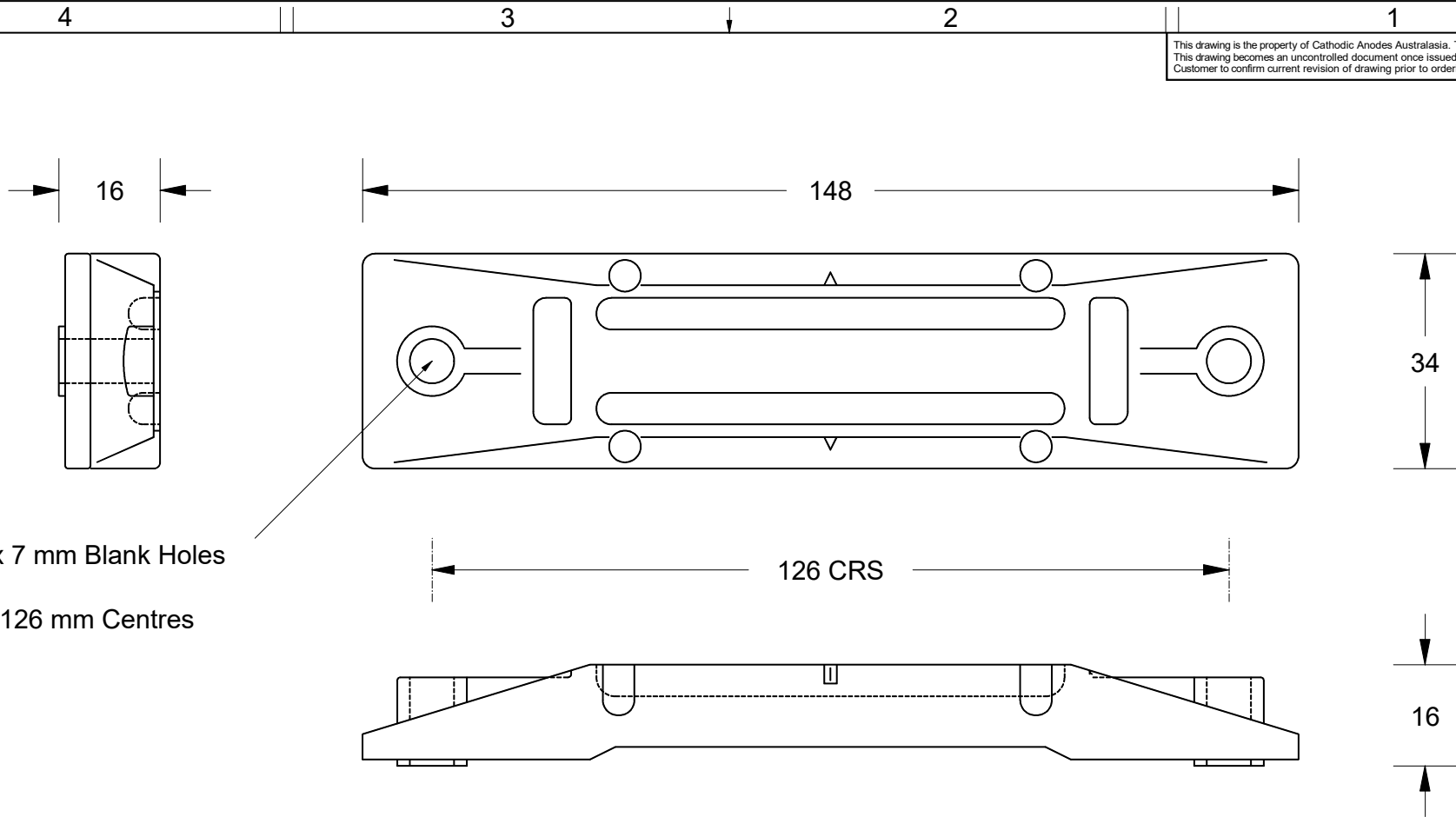


This drawing is the property of Cathodic Anodes Australasia. To be used with permission only.
 This drawing becomes an uncontrolled document once issued as hard or electronic copy.
 Customer to confirm current revision of drawing prior to ordering.



2 x 7 mm Blank Holes
 126 mm Centres

Honda Stern Bracket Anode - Replaces Genuine Part No: 06411-ZV5-000

All dimensions are in mm (nominal)

Chemical Composition Limits		Alloy:
Standard: AS2239* (Most current revision)		Z1
Zinc		
Element	min.	max.
Cadmium	0.025	0.07
Aluminium	0.10	0.50
Silicon	-	0.005
Copper	-	0.005
Iron	-	0.005
Lead	-	0.006
Other Impurities		
- each	-	0.005
- total	-	0.02
Zinc	remainder	

* Corresponds to MIL-DTL-18001L alloy composition

Notes

- Anodes are cast to comply with CAA's standard casting tolerances
- All sharp edges removed for safe handling
- Anode insert material to meet relevant Australian/International specifications

Rev	Details of Change(s)	Date	Drawn	Verified
1	Initial Drawing - 2013 Catalogue Version	24 February 2016	R.N.	R.G.

Nett Weight Kg (nominal)	Gross Weight Kg (nominal)
N/A	0.350



Cathodic Anodes Australasia

cathodicanodes.com.au

Product	
Stern Bracket Zinc Anode	
Part no. CDZ9 - 182	Scale 1 : 1
Drawing No: CD3387	Rev 1 Sheet 1 of 1
Drawn by: R Northey Date: 24 FEB 2016	