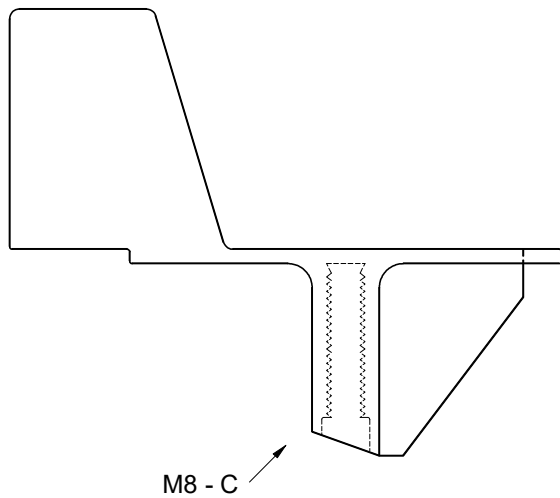
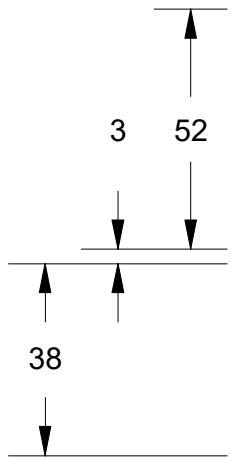
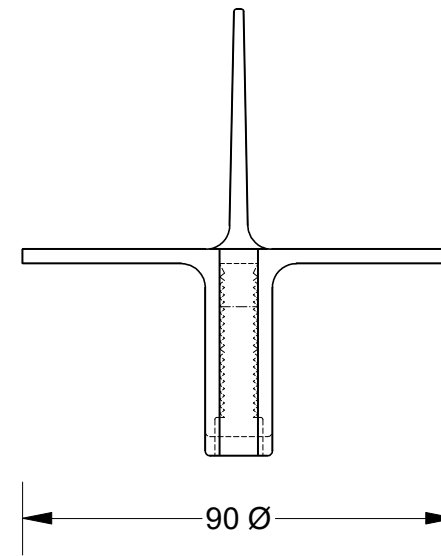


This drawing is the property of Cathodic Anodes Australasia. To be used with permission only.
 This drawing becomes an uncontrolled document once issued as hard or electronic copy.
 Customer to confirm current revision of drawing prior to ordering.



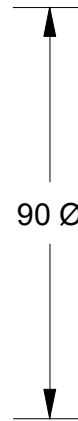
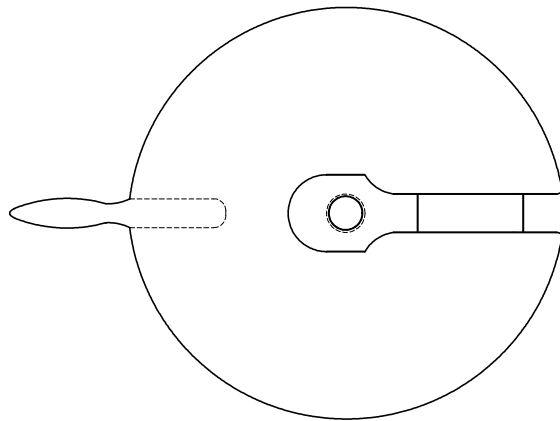
M8 - C



Thread = M8 Coarse

Mercury / Mercruiser - Outboard Trim Tab

Replaces Genuine Part No: 98432T5



| Chemical Composition Limits | | | Alloy: Z1 |
|---|-----------|-------|---------------------|
| Standard: AS2239* (Most current revision) | | | |
| Zinc | | | |
| Element | min. | max. | |
| Cadmium | 0.025 | 0.07 | |
| Aluminium | 0.10 | 0.50 | |
| Silicon | - | 0.005 | |
| Copper | - | 0.005 | |
| Iron | - | 0.005 | |
| Lead | - | 0.006 | |
| Other Impurities | | | |
| - each | - | 0.005 | |
| - total | - | 0.02 | |
| Zinc | remainder | | |

* Corresponds to MIL-DTL-18001L alloy composition

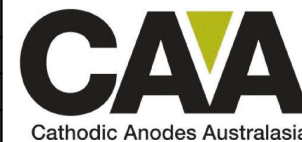
Notes

1. Anodes are cast to comply with CAA's standard casting tolerances
2. All sharp edges removed for safe handling
3. Anode insert material to meet relevant Australian/International specifications

All dimensions are in mm (nominal)

| Rev | Details of Change(s) | Date | Drawn | Verified |
|-----|--|------------------|-------|----------|
| 1 | Initial Drawing - 2013 Catalogue Version | 15 February 2016 | R.N. | R.G. |
| | | | | |
| | | | | |
| | | | | |

| | |
|-----------------------------|------------------------------|
| Nett Weight Kg (nominal) | Gross Weight Kg (nominal) |
| N/A | 0.380 |



Cathodic Anodes Australasia

cathodicanodes.com.au

| | | | |
|--|--|-------------------------|------------------------|
| Product Outboard Trim Tab Zinc Anode | | | |
| Part no. CDZ9 - 186 | | Scale 1 : 1.5 | |
| Drawing No: CD3375 | | Rev 1 | Sheet 1 of 1 |
| Drawn by: R Northey | | Date: 15 FEB 2016 | |
| | | | |