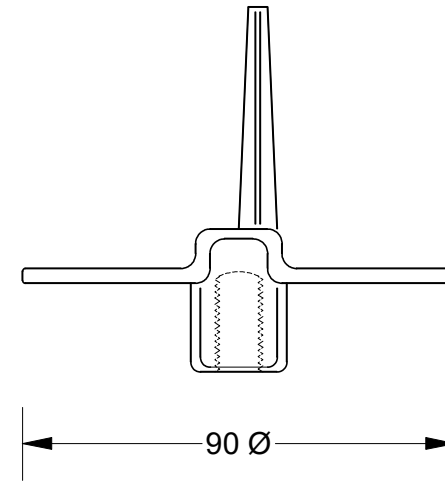
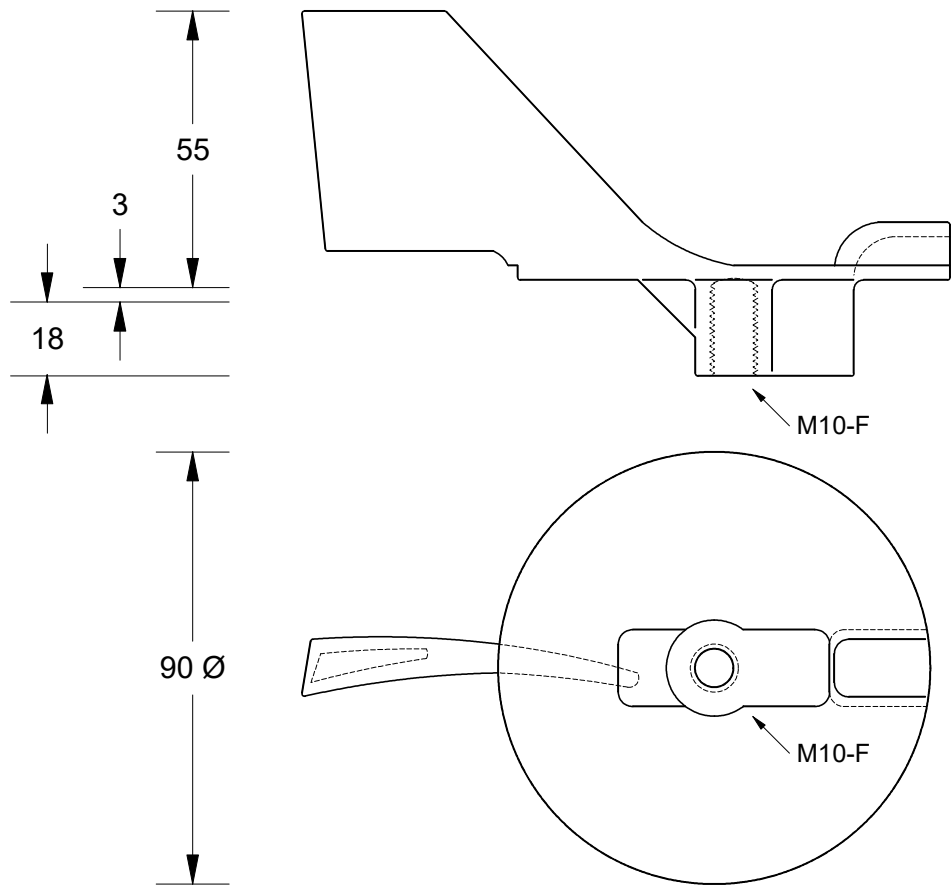


This drawing is the property of Cathodic Anodes Australasia. To be used with permission only.  
 This drawing becomes an uncontrolled document once issued as hard or electronic copy.  
 Customer to confirm current revision of drawing prior to ordering.



Thread = M10 Fine

YAMAHA - Outboard Trim Tab

Replaces Genuine Part No: 67F-45371-00

Chemical Composition Limits			Alloy:
Standard: AS2239* (Most current revision)			<b>Z1</b>
Zinc			
Element	min.	max.	
Cadmium	0.025	0.07	
Aluminium	0.10	0.50	
Silicon	-	0.005	
Copper	-	0.005	
Iron	-	0.005	
Lead	-	0.006	
Other Impurities			
- each	-	0.005	
- total	-	0.02	
Zinc	remainder		

\* Corresponds to MIL-DTL-18001L alloy composition

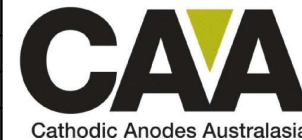
Notes

1. Anodes are cast to comply with CAA's standard casting tolerances
2. All sharp edges removed for safe handling
3. Anode insert material to meet relevant Australian/International specifications

All dimensions are in mm (nominal)

Rev	Details of Change(s)	Date	Drawn	Verified
1	Initial Drawing - 2013 Catalogue Version	05 February 2016	R.N.	R.G.

Nett Weight Kg (nominal)	Gross Weight Kg (nominal)
<b>N/A</b>	<b>0.410</b>



Cathodic Anodes Australasia

[cathodicanodes.com.au](http://cathodicanodes.com.au)

Product			
<b>Outboard Trim Tab Zinc Anode</b>			
Part no.	Scale	Rev	Sheet
<b>CDZ9 - 187</b>	<b>1 : 1.5</b>	<b>1</b>	<b>1 of 1</b>
Drawing No:	Date: 05 FEB 2016		
<b>CD3374</b>	Drawn by: R Northey		