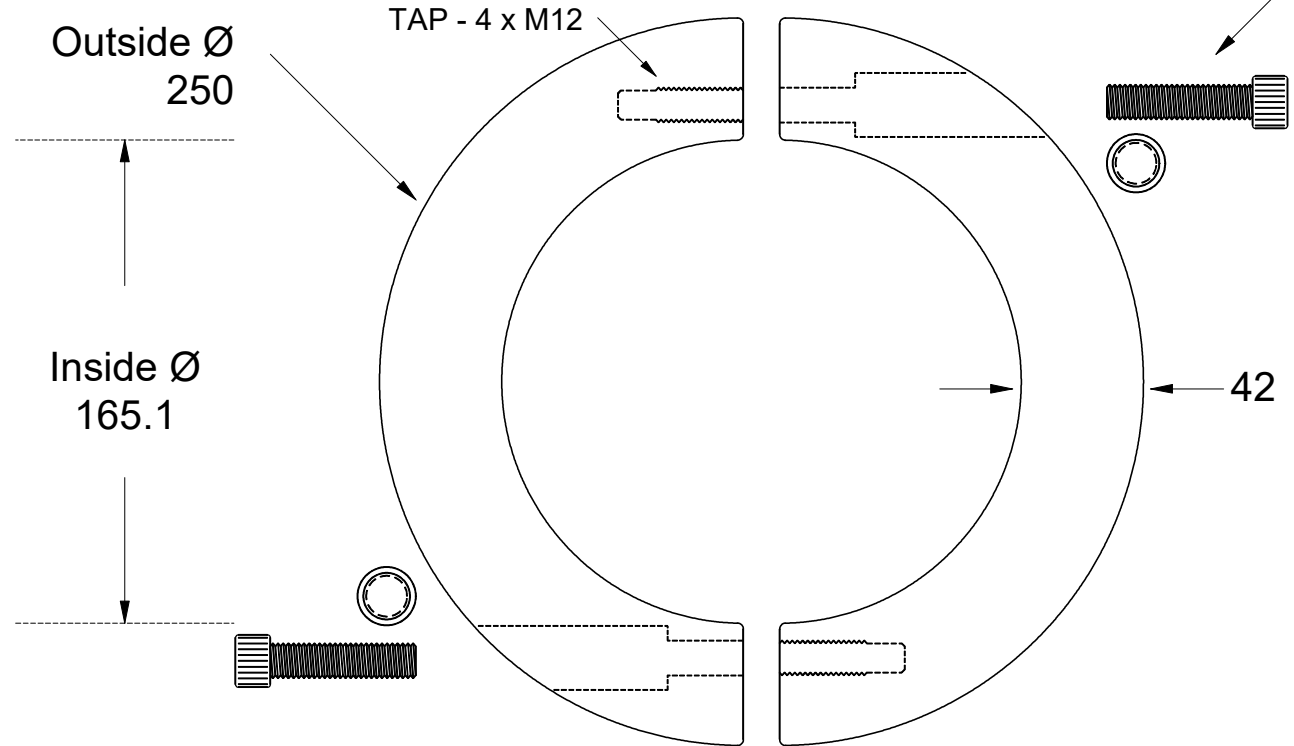
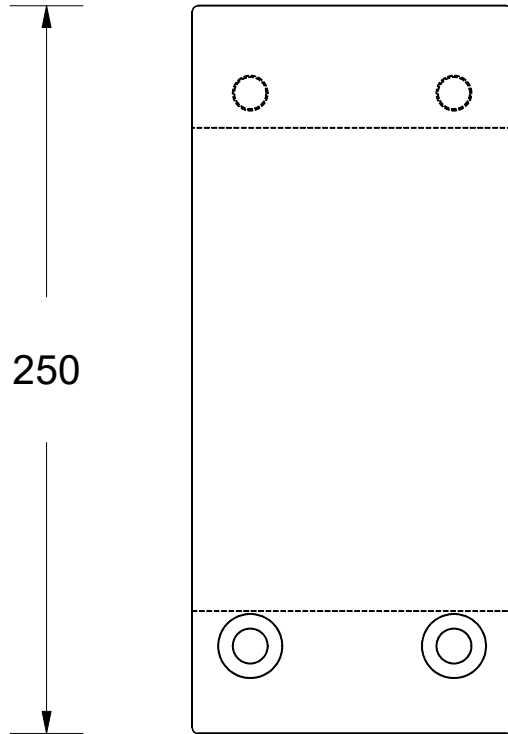


This drawing is the property of Cathodic Anodes Australasia. To be used with permission only. This drawing becomes an uncontrolled document once issued as hard or electronic copy. Customer to confirm current revision of drawing prior to ordering.

4 x M12 x 50mm 304 S/S Socket Head Cap Screws, 4 x M12 304 S/S Internal Tooth Washers



Intended Use For 6-1/2" IMPERIAL Shafts - See Sheet 2 for Machining Detail

Casting Note: Made from a 1/2 Bush Casting - 250 O/D, 165 I/D, 115 H

All dimensions are in mm (nominal)

Chemical Composition Limits			Alloy: Z1
Standard: AS2239* (Most current revision)			
Zinc			
Element	min.	max.	
Cadmium	0.025	0.07	
Aluminium	0.10	0.50	
Silicon	-	0.005	
Copper	-	0.005	
Iron	-	0.005	
Lead	-	0.006	
Other Impurities			
- each	-	0.005	
- total	-	0.02	
Zinc	remainder		

* Corresponds to MIL-DTL-18001L alloy composition

Notes

1. Anodes are cast to comply with CAA's standard casting tolerances
2. All sharp edges removed for safe handling
3. Anode insert material to meet relevant Australian/International specifications



Rev	Details of Change(s)	Date	Drawn	Verified
1	For Quotation - Catalogue Version	22 January 2016	R.N.	R.G.

Nett Weight Kg (nominal)	Gross Weight Kg (nominal)
21.4	21.6



Cathodic Anodes Australasia

cathodicanodes.com.au

Product			
Zinc Anode - Shaft Anode			
Part no.		Scale	
CDZ4 - 650 Type 1		1 : 2.5	
Drawing No: CD3370		Rev	Sheet
		1	1 of 2
Drawn by: R Northey Date: 22 JAN 2016			