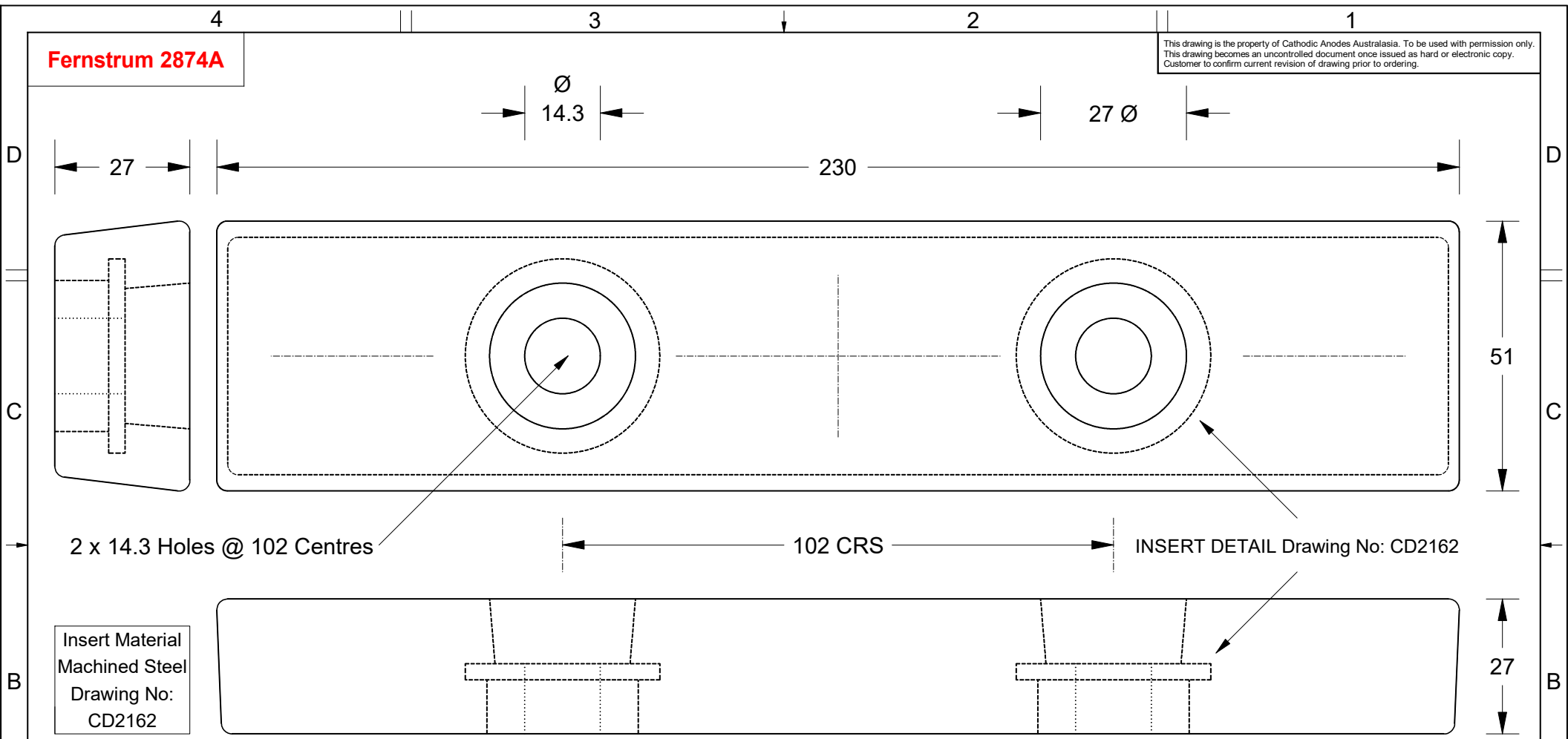


Fernstrum 2874A

This drawing is the property of Cathodic Anodes Australasia. To be used with permission only. This drawing becomes an uncontrolled document once issued as hard or electronic copy. Customer to confirm current revision of drawing prior to ordering.



2 x 14.3 Holes @ 102 Centres

102 CRS

INSERT DETAIL Drawing No: CD2162

Insert Material
Machined Steel
Drawing No:
CD2162

PART NO. 2874A COLOUR - BLUE 4# EA, 9# PER SET

BN18 - BN24, BN18U - BN24U,
CN14 - CN20, CN14U - CN20U,
D12 - D24, D14U - D24U

MILLIMETERS SHOWN ARE ROUNDED

All dimensions are in mm (nominal)

Chemical Composition Limits		Alloy:
Standard: AS2239* (Most current revision)		Z1
Zinc		
Element	min.	max.
Cadmium	0.025	0.07
Aluminium	0.10	0.50
Silicon	-	0.005
Copper	-	0.005
Iron	-	0.005
Lead	-	0.006
Other Impurities		
- each	-	0.005
- total	-	0.02
Zinc	remainder	

* Corresponds to MIL-DTL-18001L alloy composition

- Notes
1. Anodes are cast to comply with CAA's standard casting tolerances
 2. All sharp edges removed for safe handling
 3. Anode insert material to meet relevant Australian/International specifications



Rev	Details of Change(s)	Date	Drawn	Verified
1	Cathodic Diecasting Original	14 February 2012	R.N.	R.G.
2	2013 Catalogue Version (CAA Logo)	29 April 2014	R.N.	R.G.

Nett Weight Kg (nominal)	Gross Weight Kg (nominal)
2.00	2.10

CAA
Cathodic Anodes Australasia
cathodicanodes.com.au

Product Zinc Anode Fernstrum 2874A	
Part no. CDZ2-92-1.0H	Scale 1 : 1
Drawing No: CD3257	Rev 2 Sheet 1 of 1
Drawn by: R Northey	Date: 29 APR 2014
Mould No: 6	Tooling: Custom