

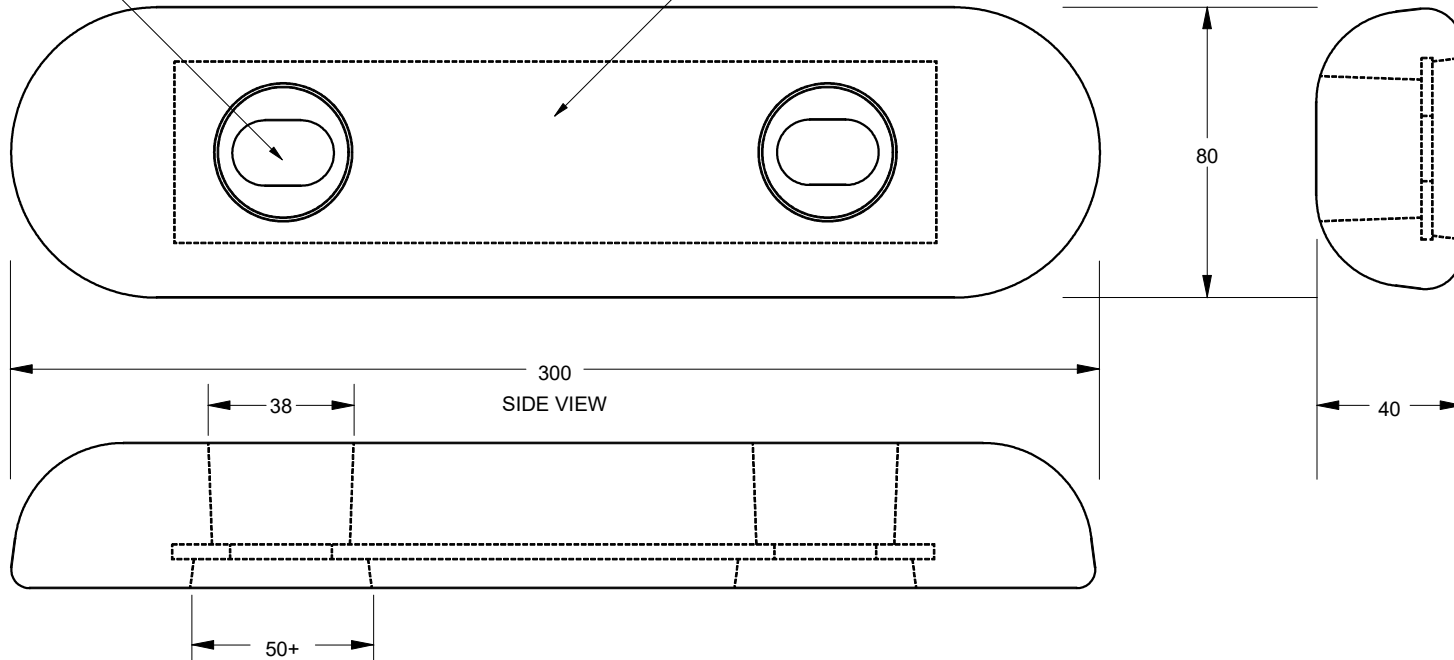
This drawing is the property of Cathodic Anodes Australasia. To be used with permission only.
 This drawing becomes an uncontrolled document once issued as hard or electronic copy.
 Customer to confirm current revision of drawing prior to ordering.

2 x (17.5 Ø X 28 SLOTTED HOLES) @ 150 CENTRES

PLAN VIEW

INSERT 50 X 3 F.M.S.

END VIEW



Chemical Composition Limits		Alloy:
Standard: AS2239 (Most current revision)		A6
Aluminium		
Element	min.	max.
Zinc	2.0	6.0
Indium	0.01	0.02
Cadmium	-	0.005
Silicon	0.08	0.12
Iron	-	0.12
Magnesium	-	0.02
Titanium	-	0.02
Copper	-	0.006
Tin	-	0.02
Other Impurities	-	-
- each	-	0.02
- total	-	0.05
Aluminium	remainder	

Notes

1. Anodes are cast to comply with CAA's standard casting tolerances
2. All sharp edges removed for safe handling
3. Anode insert material to meet relevant Australian/International specifications



Nett Weight Kg (nominal)	Gross Weight Kg (nominal)
1.65	1.88

Rev	Details of Change(s)	Date	Initials
1	For Quotation	24OCT11	R.N.

CAA
 Cathodic Anodes Australasia
 cathodicanodes.com.au

Product Aluminium Anode		Scale 1 to 2
Part no. CDA-123-150H Type 2		Rev Sheet 1 1 of 1
Drawing no. CD3228		
Drawn by: RN	Date: 24OCT11	
All dimensions are in mm (nominal)		

