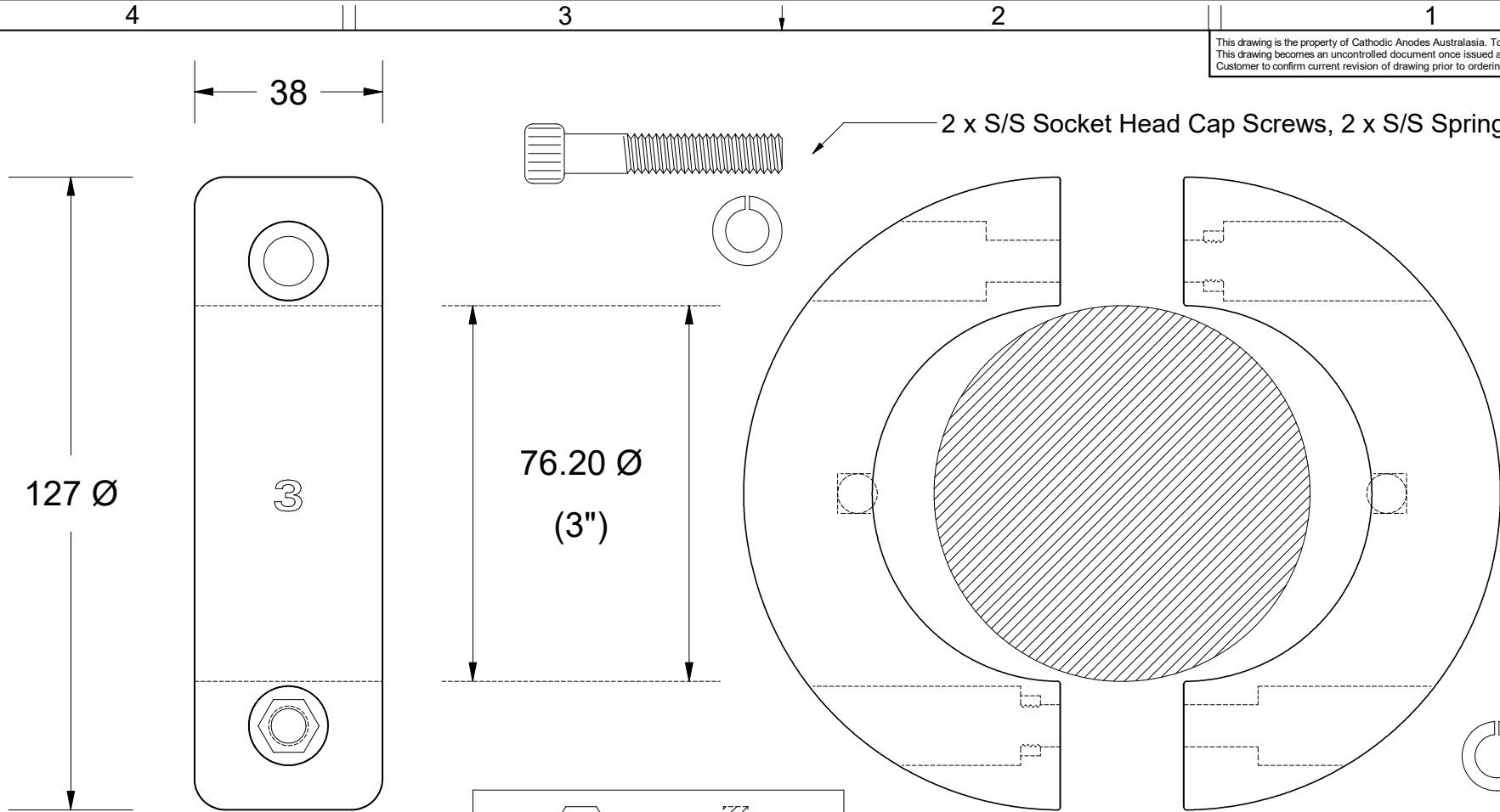


This drawing is the property of Cathodic Anodes Australasia. To be used with permission only.
 This drawing becomes an uncontrolled document once issued as hard or electronic copy.
 Customer to confirm current revision of drawing prior to ordering.



2 x "Cast In" S/S Hex Nuts

2 x Copper Contacts

Chemical Composition Limits			Alloy: Z1
Standard: AS2239* (Most current revision)			
Zinc			
Element	min.	max.	
Cadmium	0.025	0.07	
Aluminium	0.10	0.50	
Silicon	-	0.005	
Copper	-	0.005	
Iron	-	0.005	
Lead	-	0.006	
Other Impurities			
- each	-	0.005	
- total	-	0.02	
Zinc	remainder		

* Corresponds to MIL-DTL-18001L alloy composition

- Notes
1. Anodes are cast to comply with CAA's standard casting tolerances
 2. All sharp edges removed for safe handling
 3. Anode insert material to meet relevant Australian/International specifications

Rev	Details of Change(s)	Date	Drawn	Verified
1	Cathodic Diecasting Original	13 September 2011	R.N.	R.G.
2	2013 Catalogue Version (CAA Logo)	29 January 2016	R.N.	R.G.

Nett Weight Kg (nominal)	Gross Weight Kg (nominal)
1.985	2.000

CAA
Cathodic Anodes Australasia
cathodicanodes.com.au

Product			
Zinc Anode - DONUT Shaft Anode			
Part no.	CDZ4 - 300D		Scale 1 : 1.25
Drawing No:	CD3210		Rev 2
Drawn by: R Northey		Date: 29 JAN 2016	
			Sheet 1 of 1

All dimensions are in mm (nominal)