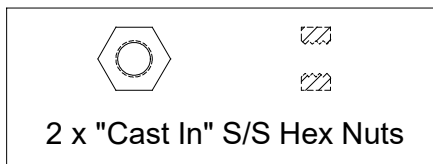
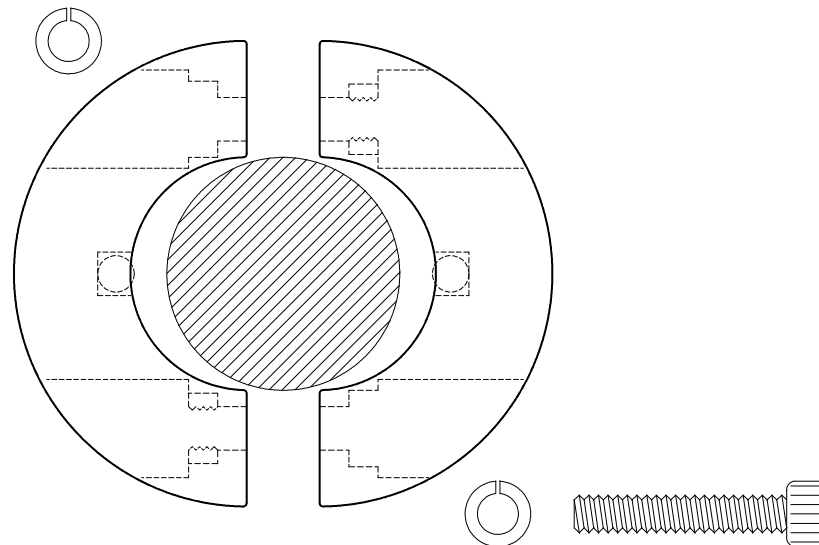
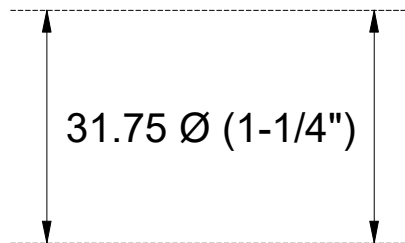
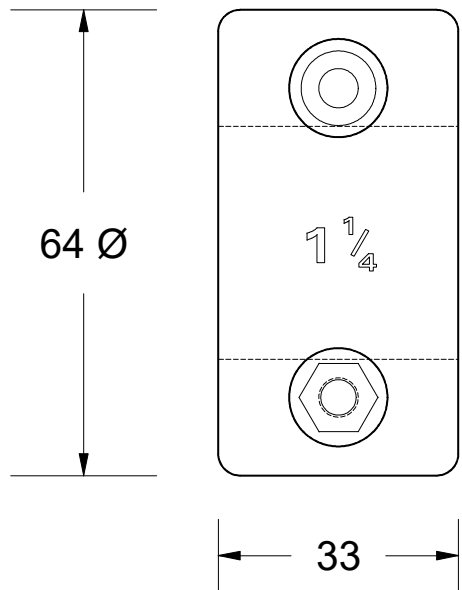


This drawing is the property of Cathodic Anodes Australasia. To be used with permission only. This drawing becomes an uncontrolled document once issued as hard or electronic copy. Customer to confirm current revision of drawing prior to ordering.

2 x S/S Socket Head Cap Screws, 2 x S/S Spring Washers



Chemical Composition Limits			Alloy:
Standard: AS2239* (Most current revision)			Z1
Zinc			
Element	min.	max.	
Cadmium	0.025	0.07	
Aluminium	0.10	0.50	
Silicon	-	0.005	
Copper	-	0.005	
Iron	-	0.005	
Lead	-	0.006	
Other Impurities			
- each	-	0.005	
- total	-	0.02	
Zinc		remainder	

* Corresponds to MIL-DTL-18001L alloy composition

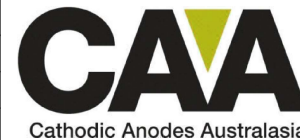
Notes

1. Anodes are cast to comply with CAA's standard casting tolerances
2. All sharp edges removed for safe handling
3. Anode insert material to meet relevant Australian/International specifications

All dimensions are in mm (nominal)

Rev	Details of Change(s)	Date	Drawn	Verified
1	Cathodic Diecasting Original	13 September 2011	R.N.	R.G.
2	2013 Catalogue Version (CAA Logo)	29 January 2016	R.N.	R.G.

Nett Weight Kg (nominal)	Gross Weight Kg (nominal)
0.445	0.460



Cathodic Anodes Australasia

cathodicanodes.com.au

Product			
Zinc Anode - DONUT Shaft Anode			
Part no.	Scale		
CDZ4 - 125D	1 : 1		
Drawing No:	Rev	Sheet	
CD3202	2	1 of 1	
Drawn by: R Northey	Date: 29 JAN 2016		

