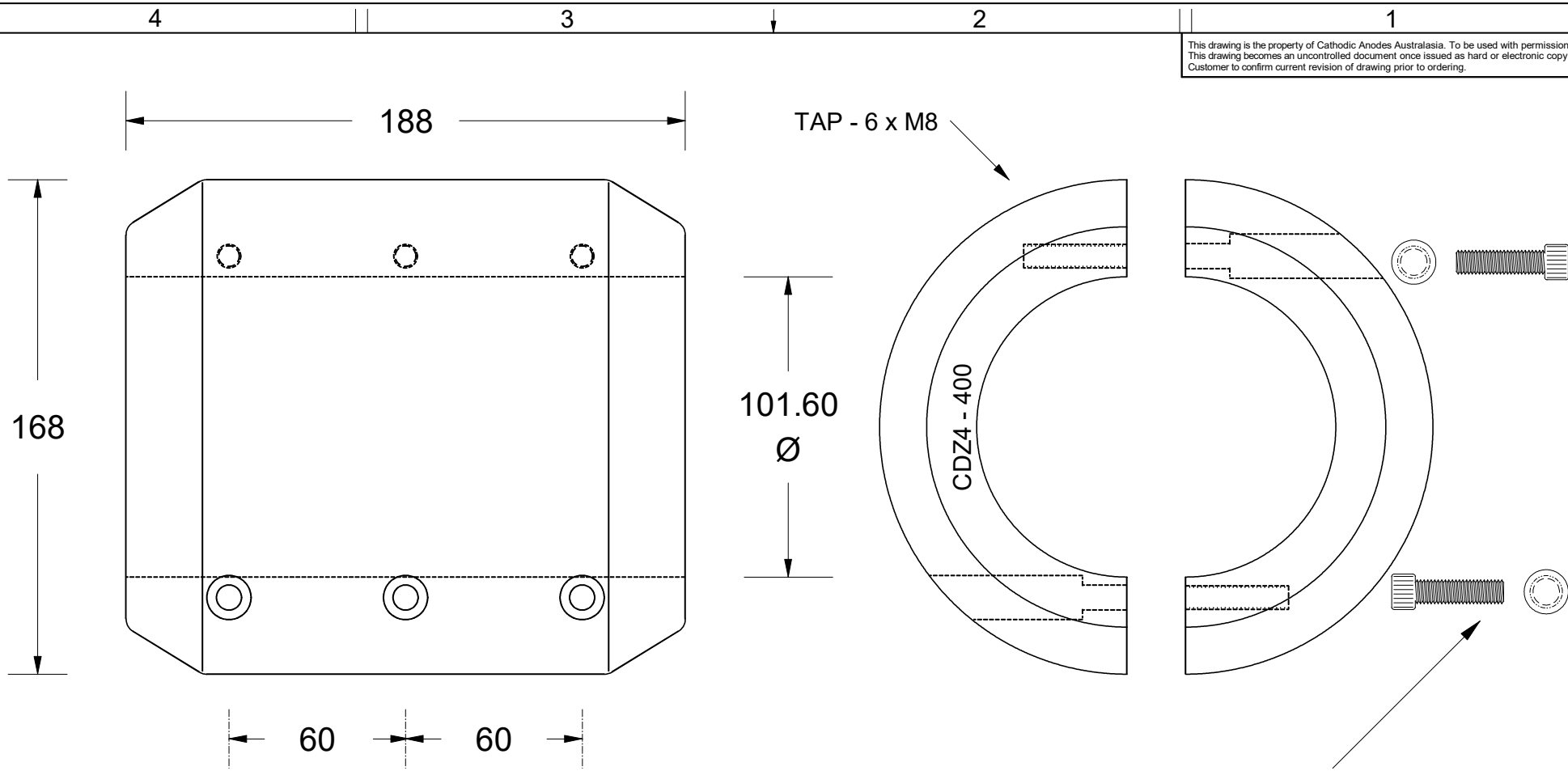


This drawing is the property of Cathodic Anodes Australasia. To be used with permission only. This drawing becomes an uncontrolled document once issued as hard or electronic copy. Customer to confirm current revision of drawing prior to ordering.



6 x M8 x 30mm 304 S/S Socket Head Cap Screws, 6 x M8 304 S/S Internal Tooth Washers

Intended Use For 4" IMPERIAL Shafts - See Sheet 2 for Machining Detail

All dimensions are in mm (nominal)

Chemical Composition Limits			Alloy: Z1
Standard: AS2239* (Most current revision)			
Zinc			
Element	min.	max.	
Cadmium	0.025	0.07	
Aluminium	0.10	0.50	
Silicon	-	0.005	
Copper	-	0.005	
Iron	-	0.005	
Lead	-	0.006	
Other Impurities			
- each	-	0.005	
- total	-	0.02	
Zinc	remainder		

* Corresponds to MIL-DTL-18001L alloy composition

Notes

1. Anodes are cast to comply with CAA's standard casting tolerances
2. All sharp edges removed for safe handling
3. Anode insert material to meet relevant Australian/International specifications



Rev	Details of Change(s)	Date	Nett Weight		Gross Weight	
			Kg (nominal)		Kg (nominal)	
			17.2		17.3	
1	Cathodic Diecasting Original	11 September 2011		R.N.		R.G.
2	2013 Catalogue Version (CAA Logo)	15 January 2016		R.N.		R.G.

CAA
Cathodic Anodes Australasia
cathodicanodes.com.au

Product Zinc Anode - Shaft Anode			
Part no. CDZ4 - 400		Scale 1 : 2	
Drawing No: CD3194		Rev 2	Sheet 1 of 2
Drawn by: R Northey		Date: 15 JAN 2016	

