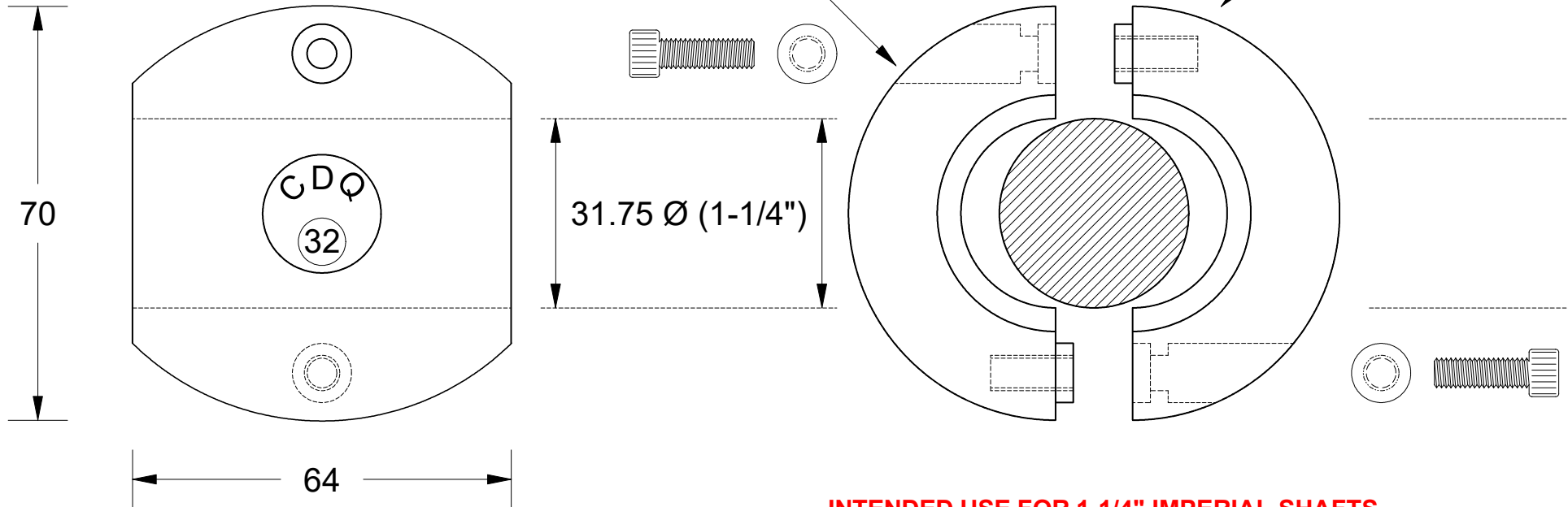


This drawing is the property of Cathodic Anodes Australasia. To be used with permission only.
 This drawing becomes an uncontrolled document once issued as hard or electronic copy.
 Customer to confirm current revision of drawing prior to ordering.

2 x M5 x 16mm 304 S/S Socket Head Cap Screws

2 x M5 304 S/S Internal Tooth Washers

TAP - 2 x M5



INTENDED USE FOR 1-1/4" IMPERIAL SHAFTS

Chemical Composition Limits			Alloy:
Standard: AS2239* ^(Most current revision)			Z1
Zinc			
Element	min.	max.	
Cadmium	0.025	0.07	
Aluminium	0.10	0.50	
Silicon	-	0.005	
Copper	-	0.005	
Iron	-	0.005	
Lead	-	0.006	
Other Impurities			
- each	-	0.005	
- total	-	0.02	
Zinc	remainder		

* Corresponds to MIL-DTL-18001L alloy composition

Notes

1. Anodes are cast to comply with CAA's standard casting tolerances
2. All sharp edges removed for safe handling
3. Anode insert material to meet relevant Australian/International specifications



All dimensions are in mm (nominal)

Nett Weight		Gross Weight		Product	
Kg (nominal)		Kg (nominal)		Zinc Anode - Shaft Anode	
0.93		0.95		Part no.	Scale
				CDZ4 - 125	1 : 1
				Drawing No: CD3160	Rev Sheet
					2 1 of 1
				Drawn by: R Northey	Date: 18 DEC 2015



Cathodic Anodes Australasia

cathodicanodes.com.au