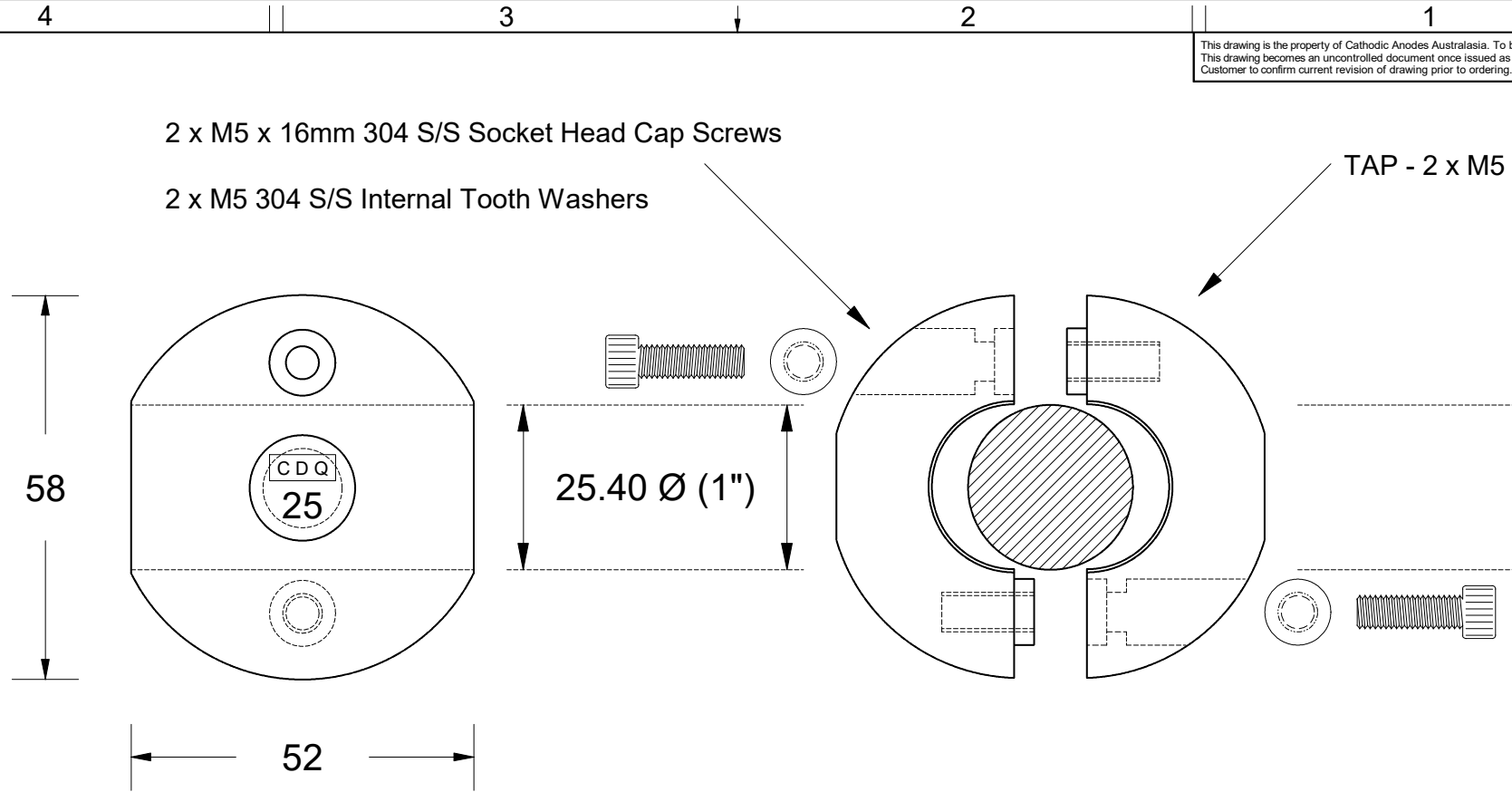


This drawing is the property of Cathodic Anodes Australasia. To be used with permission only. This drawing becomes an uncontrolled document once issued as hard or electronic copy. Customer to confirm current revision of drawing prior to ordering.



INTENDED USE FOR 1 " IMPERIAL SHAFTS

25 mm Metric Available - Part No: CDZ4-25M

Chemical Composition Limits			Alloy:
Standard: AS2239* (Most current revision)			Z1
Element	min.	max.	
Cadmium	0.025	0.07	
Aluminium	0.10	0.50	
Silicon	-	0.005	
Copper	-	0.005	
Iron	-	0.005	
Lead	-	0.006	
Other Impurities			
- each	-	0.005	
- total	-	0.02	
Zinc	remainder		

* Corresponds to MIL-DTL-18001L alloy composition

Notes

1. Anodes are cast to comply with CAA's standard casting tolerances
2. All sharp edges removed for safe handling
3. Anode insert material to meet relevant Australian/International specifications



All dimensions are in mm (nominal)

Rev		Details of Change(s)	Date	Drawn	Verified
1		Cathodic Diecasting Original	29 August 2011	R.N.	R.G.
2		2013 Catalogue Version (CAA Logo)	18 December 2015	R.N.	R.G.

Nett Weight	Gross Weight
Kg (nominal)	Kg (nominal)
0.47	0.48

CAA Cathodic Anodes Australasia		Product Zinc Anode - Shaft Anode	
cathodicanodes.com.au		Part no. CDZ4 - 100	Scale 1 : 1
		Drawing No: CD3151	Rev Sheet 2 1 of 1
		Drawn by: R Northey Date: 18 DEC 2015	