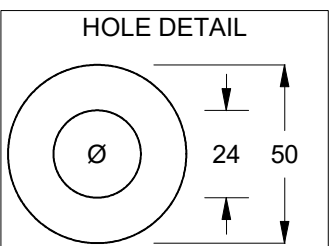
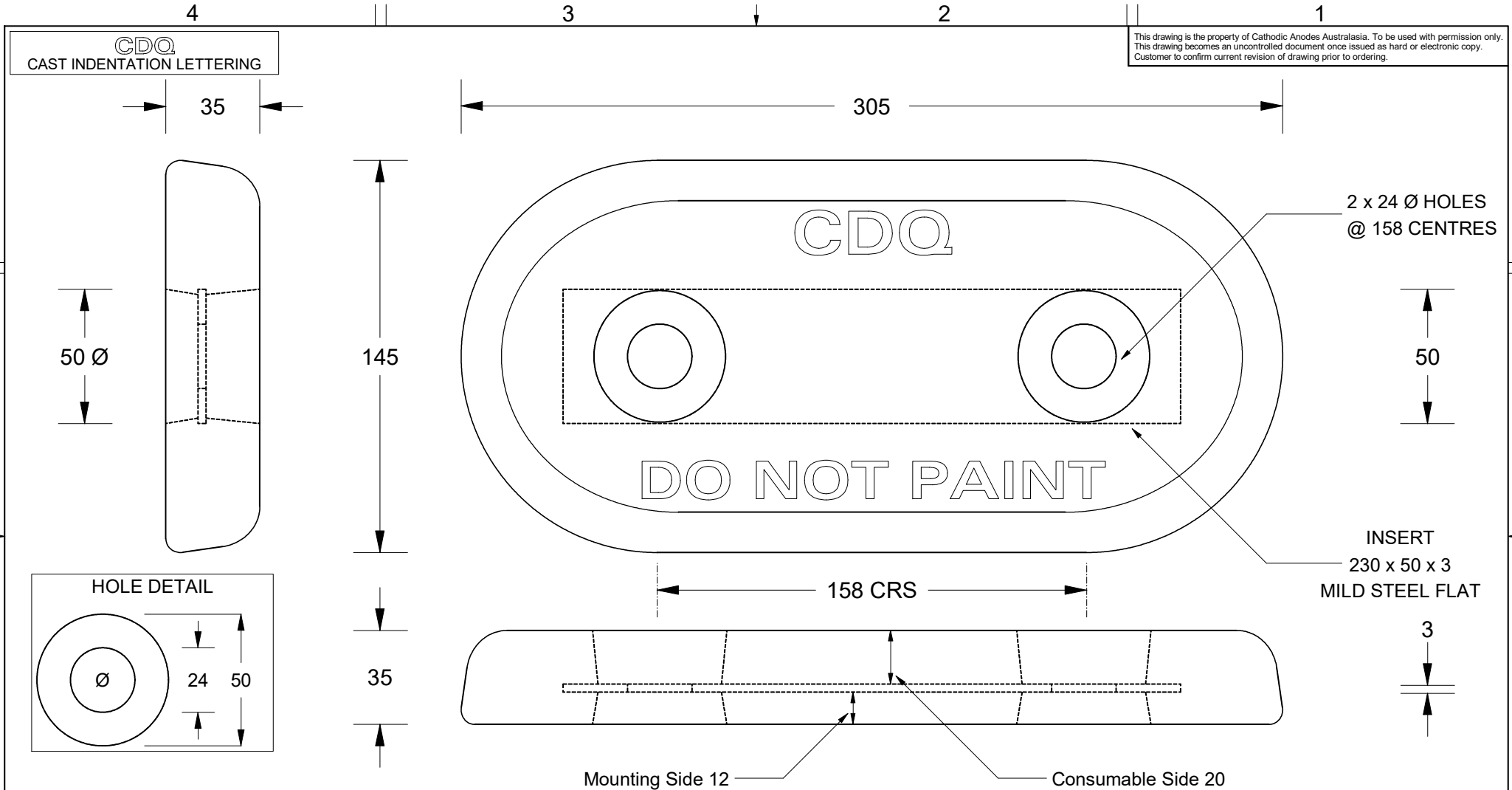


This drawing is the property of Cathodic Anodes Australasia. To be used with permission only. This drawing becomes an uncontrolled document once issued as hard or electronic copy. Customer to confirm current revision of drawing prior to ordering.



Chemical Composition Limits			Alloy: A1
Standard: AS2239 (Most current revision)			
Aluminium			
Element	min.	max.	
Zinc	2.1	2.7	
Indium	0.017	0.025	
Cadmium	0.008	0.012	
Silicon	-	0.20	
Iron	-	0.12	
Copper	-	0.006	
Other Impurities			
- each	-	0.02	
- total	-	0.05	
Aluminium	remainder		

- Notes
- Anodes are cast to comply with CAA's standard casting tolerances
 - All sharp edges removed for safe handling
 - Anode insert material to meet relevant Australian/International specifications



Nett Weight Kg (nominal)	Gross Weight Kg (nominal)
3.00	3.30

CAA
Cathodic Anodes Australasia
cathodicanodes.com.au

Rev	Details of Change(s)	Date	Drawn	Verified
1	Cathodic Diecasting Original	08 August 2010	B.L.	R.G.
2	2013 Catalogue Version (CAA Logo)	10 January 2014	R.N.	R.G.

Product Aluminium Anode	
Part no. CDA-3H Type 1 (A1)	Scale 1 : 2
Drawing No: CD3143	Rev Sheet 2 1 of 1
Drawn by: R Northey	Date: 10 JAN 2014
Mould No: 96	Strap Sample: 14

All dimensions are in mm (nominal)