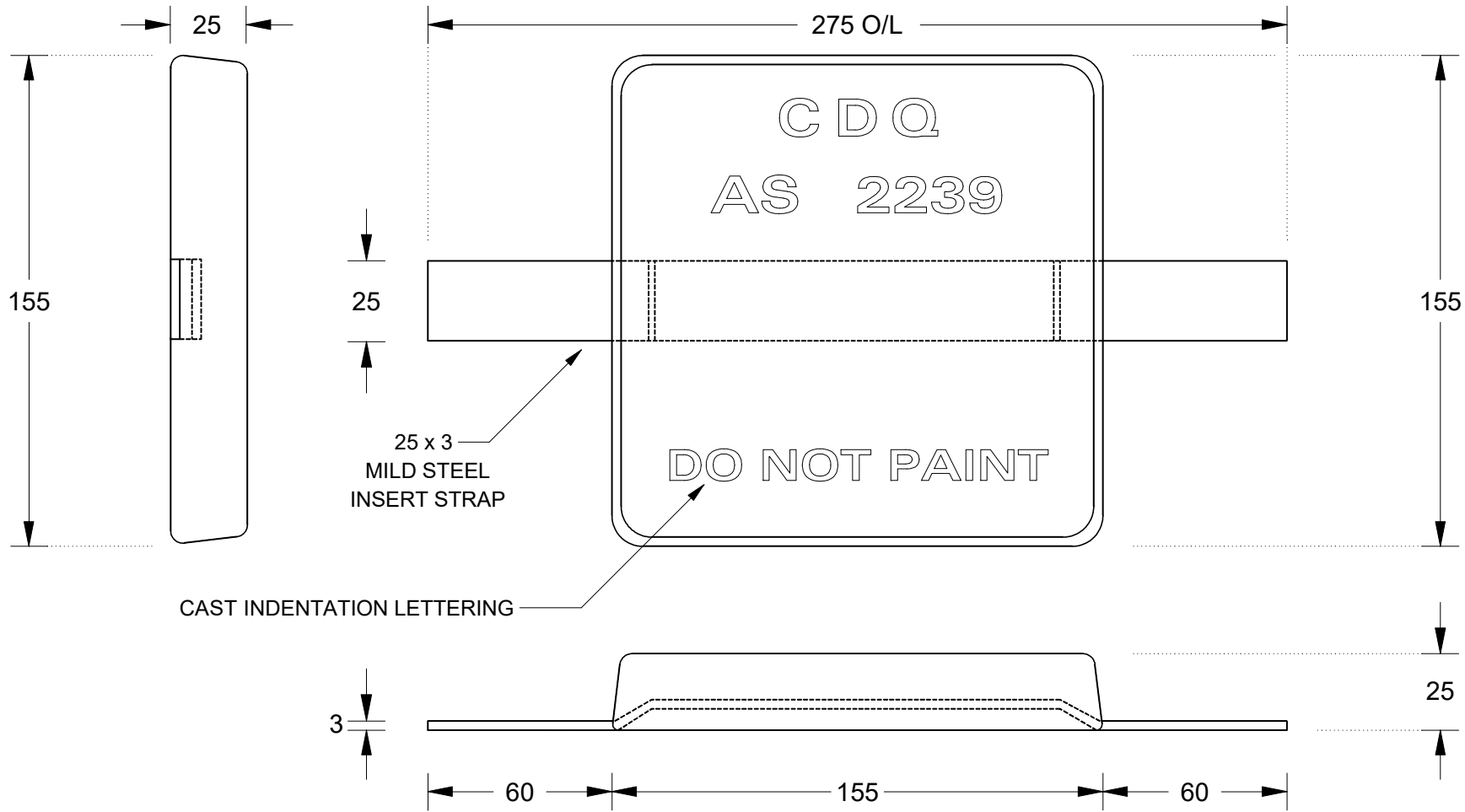


This drawing is the property of Cathodic Anodes Australasia. To be used with permission only.
 This drawing becomes an uncontrolled document once issued as hard or electronic copy.
 Customer to confirm current revision of drawing prior to ordering.



CAST INDENTATION LETTERING

25 x 3
MILD STEEL
INSERT STRAP

Chemical Composition Limits			Alloy: A1
Standard: AS2239 (Most current revision)			
Aluminium			
Element	min.	max.	
Zinc	2.1	2.7	
Indium	0.017	0.025	
Cadmium	0.008	0.012	
Silicon	-	0.20	
Iron	-	0.12	
Copper	-	0.006	
Other Impurities			
- each	-	0.02	
- total	-	0.05	
Aluminium	remainder		

- Notes
1. Anodes are cast to comply with CAA's standard casting tolerances
 2. All sharp edges removed for safe handling
 3. Anode insert material to meet relevant Australian/International specifications



Rev	Details of Change(s)	Nett Weight		Gross Weight	
		Kg (nominal)		Kg (nominal)	
		1.60		1.80	
		Date	Drawn	Verified	
1	Cathodic Diecasting Original	24 September 2010	B.L.	R.G.	
2	2013 Catalogue Version (CAA Logo)	10 January 2014	R.N.	R.G.	

CAA
Cathodic Anodes Australasia

cathodicanodes.com.au

Product		Aluminium Anode	
Part no.		CDA-1.5S Type 1 (A1)	
Drawing No: CD3128		Scale	1 : 2
Drawn by: R Northey	Date: 10 JAN 2014	Rev	Sheet
Mould No: 51	Insert: In House	2	1 of 1

All dimensions are in mm (nominal)