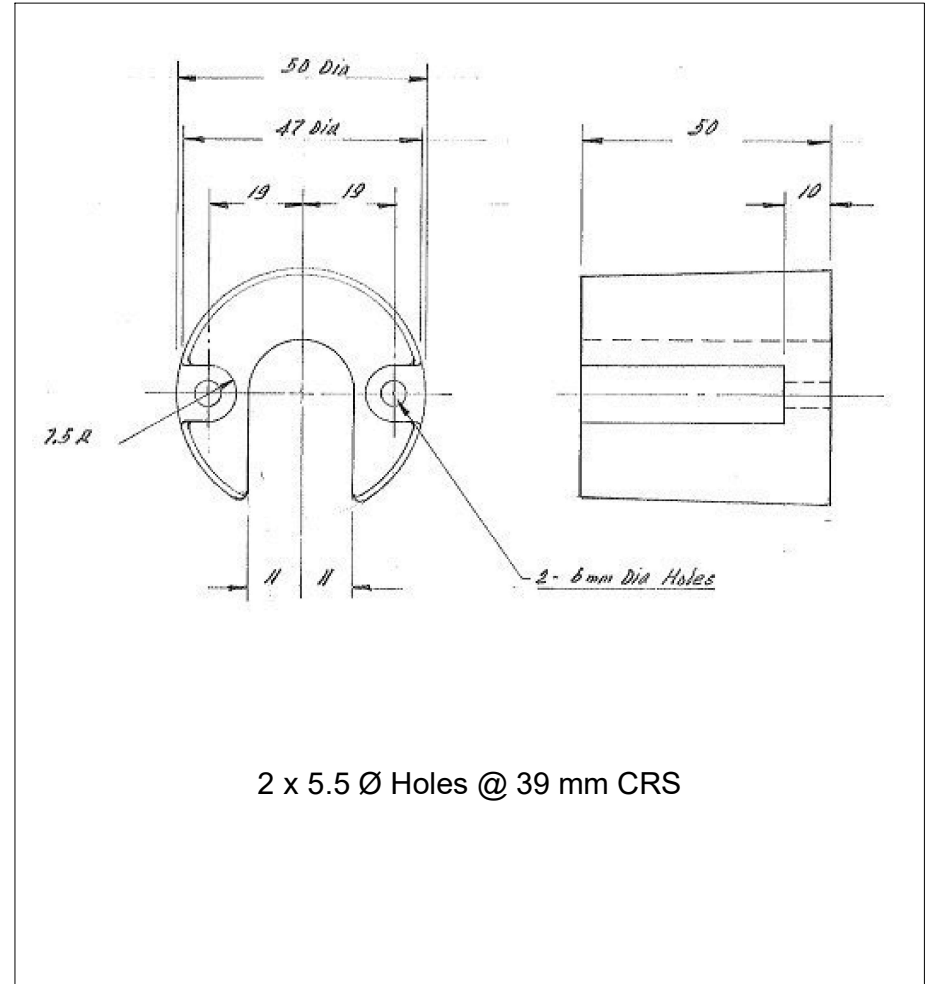


This drawing is the property of Cathodic Anodes Australasia. To be used with permission only.
 This drawing becomes an uncontrolled document once issued as hard or electronic copy.
 Customer to confirm current revision of drawing prior to ordering.



Bravo & Blackhawk Trim Ram Anode
 Replaces Genuine Part: 806190



2 x 5.5 Ø Holes @ 39 mm CRS

All dimensions are in mm (nominal)

Notes

1. Anodes are cast to comply with CAA's standard casting tolerances
2. All sharp edges removed for safe handling
3. Anode insert material to meet relevant Australian/International specifications

Rev	Details of Change(s)	Date	Drawn	Verified
1	Cathodic Diecasting Original	16 Aug 2011	R.N.	R.G.
2	2013 / 2019 Catalogue Version (CAA Logo)	21 Aug 2020	R.N.	R.G.

Nett Weight Kg (nominal)	Gross Weight Kg (nominal)
0.120	0.120

CAA
 Cathodic Anodes Australasia
cathodicanodes.com.au

Product Aluminium Anode	
Part no. CDA9-060	Scale NTS
Drawing No: CD3115	Rev Sheet 2 1 of 1
Drawn by: R Northey Date: 21 AUG 2020	
Mould No: X Tooling:	

Chemical Composition Limits			Alloy:
Standard: M (Most current level) 24779A(SH)			24779A
Element	min.	max.	Aluminium
Zinc	4.0	6.5	
Indium	0.014	0.020	
Mercury	-	0.001	
Silicon	0.08	0.20	
Iron	-	0.090	
Copper	-	0.004	
Tin	-	0.001	
Aluminium	remainder		