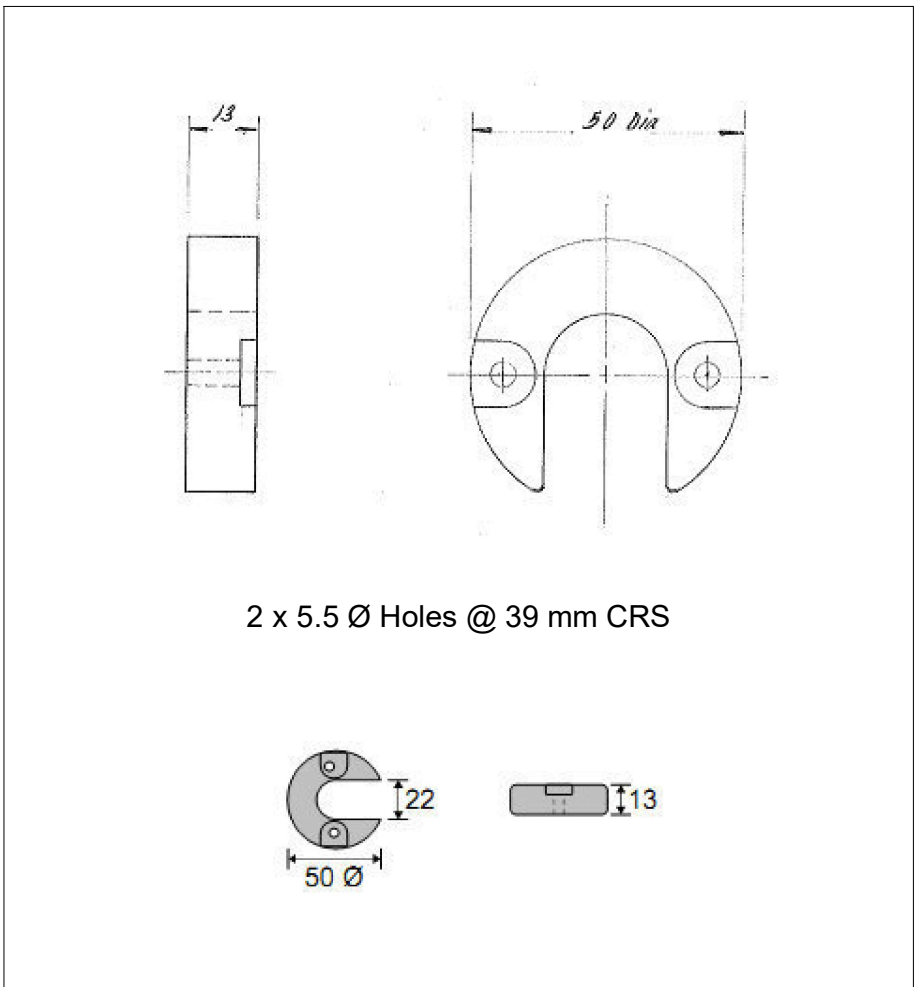


This drawing is the property of Cathodic Anodes Australasia. To be used with permission only.  
 This drawing becomes an uncontrolled document once issued as hard or electronic copy.  
 Customer to confirm current revision of drawing prior to ordering.



Alpha Anode  
 Replaces Genuine Part: 806189

All dimensions are in mm (nominal)

Notes

1. Anodes are cast to comply with CAA's standard casting tolerances
2. All sharp edges removed for safe handling
3. Anode insert material to meet relevant Australian/International specifications

| Rev | Details of Change(s)                     | Date        | Drawn | Verified |
|-----|------------------------------------------|-------------|-------|----------|
| 1   | Cathodic Diecasting Original             | 16 Aug 2011 | R.N.  | R.G.     |
| 2   | 2013 / 2019 Catalogue Version (CAA Logo) | 21 Aug 2020 | R.N.  | R.G.     |

| Nett Weight<br>Kg (nominal) | Gross Weight<br>Kg (nominal) |
|-----------------------------|------------------------------|
| <b>0.040</b>                | <b>0.040</b>                 |

**CAA**  
 Cathodic Anodes Australasia  
[cathodicanodes.com.au](http://cathodicanodes.com.au)

|                                       |                                  |
|---------------------------------------|----------------------------------|
| Product<br><b>Aluminium Anode</b>     |                                  |
| Part no.<br><b>CDA9-054</b>           | Scale<br><b>NTS</b>              |
| Drawing No: <b>CD3111</b>             | Rev <b>2</b> Sheet <b>1 of 1</b> |
| Drawn by: R Northey Date: 21 AUG 2020 |                                  |
| Mould No: X Tooling:                  |                                  |

| Chemical Composition Limits |           | Alloy: |
|-----------------------------|-----------|--------|
| Element                     | min.      | max.   |
| Zinc                        | 4.0       | 6.5    |
| Indium                      | 0.014     | 0.020  |
| Mercury                     | -         | 0.001  |
| Silicon                     | 0.08      | 0.20   |
| Iron                        | -         | 0.090  |
| Copper                      | -         | 0.004  |
| Tin                         | -         | 0.001  |
| Aluminium                   | remainder |        |

Standard: MIL-DTL-24779A(SH)  
 Aluminium (Most current revision)  
**24779A**