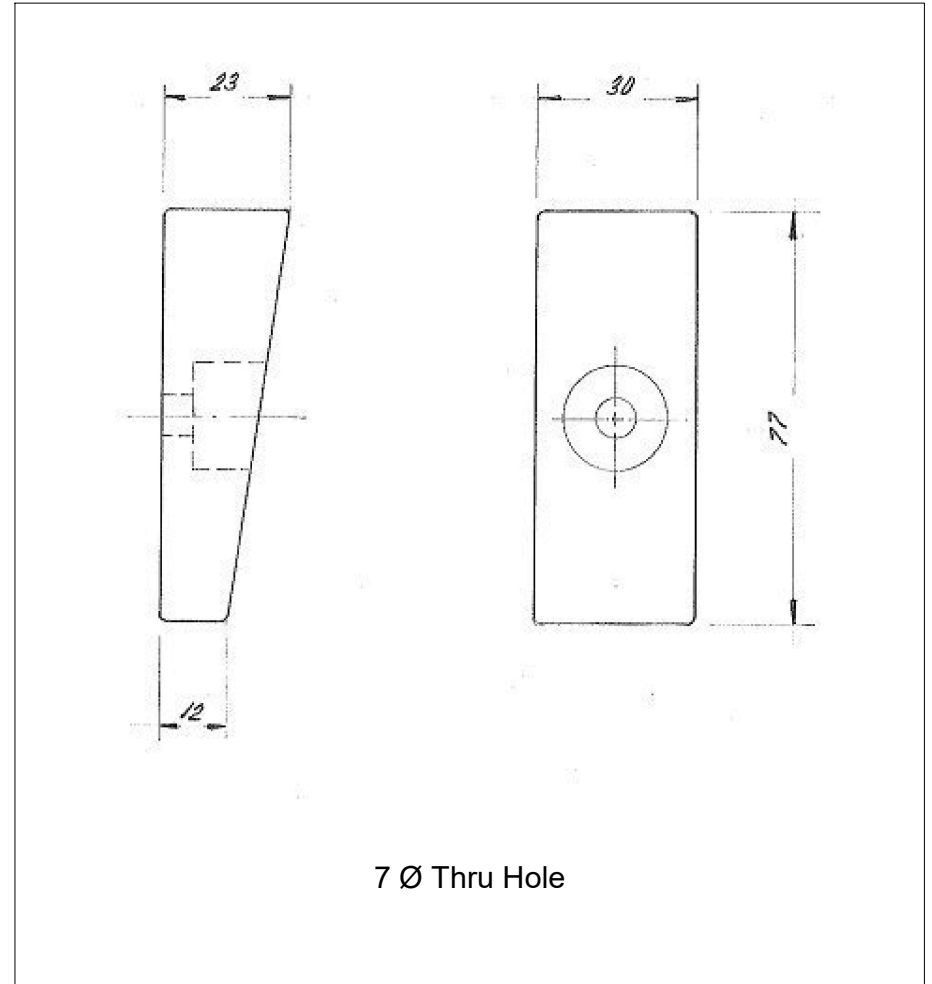


This drawing is the property of Cathodic Anodes Australasia. To be used with permission only.  
 This drawing becomes an uncontrolled document once issued as hard or electronic copy.  
 Customer to confirm current revision of drawing prior to ordering.



Block Anode

Replaces Genuine Part: 826134



7 Ø Thru Hole

All dimensions are in mm (nominal)

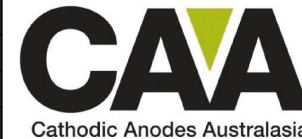
Notes

1. Anodes are cast to comply with CAA's standard casting tolerances
2. All sharp edges removed for safe handling
3. Anode insert material to meet relevant Australian/International specifications

Chemical Composition Limits		Alloy:	
Standard: MIL-STD-24779A(SH)		<b>24779A</b>	
Aluminium			
Element	min.	max.	
Zinc	4.0	6.5	
Indium	0.014	0.020	
Mercury	-	0.001	
Silicon	0.08	0.20	
Iron	-	0.090	
Copper	-	0.004	
Tin	-	0.001	
Aluminium	remainder		

Rev	Details of Change(s)	Date	Drawn	Verified
1	Cathodic Diecasting Original	16 Aug 2011	R.N.	R.G.
2	2013 / 2019 Catalogue Version (CAA Logo)	21 Aug 2020	R.N.	R.G.

Nett Weight Kg (nominal)	Gross Weight Kg (nominal)	
<b>0.090</b>	<b>0.090</b>	
Date	Drawn	Verified



cathodicanodes.com.au

Product		Aluminium Anode	
Part no.	CDA9-053	Scale	NTS
Drawing No:	CD3110	Rev	Sheet
		<b>2</b>	<b>1 of 1</b>
Drawn by: R Northey	Date: 21 AUG 2020		
Mould No: X	Tooling:		