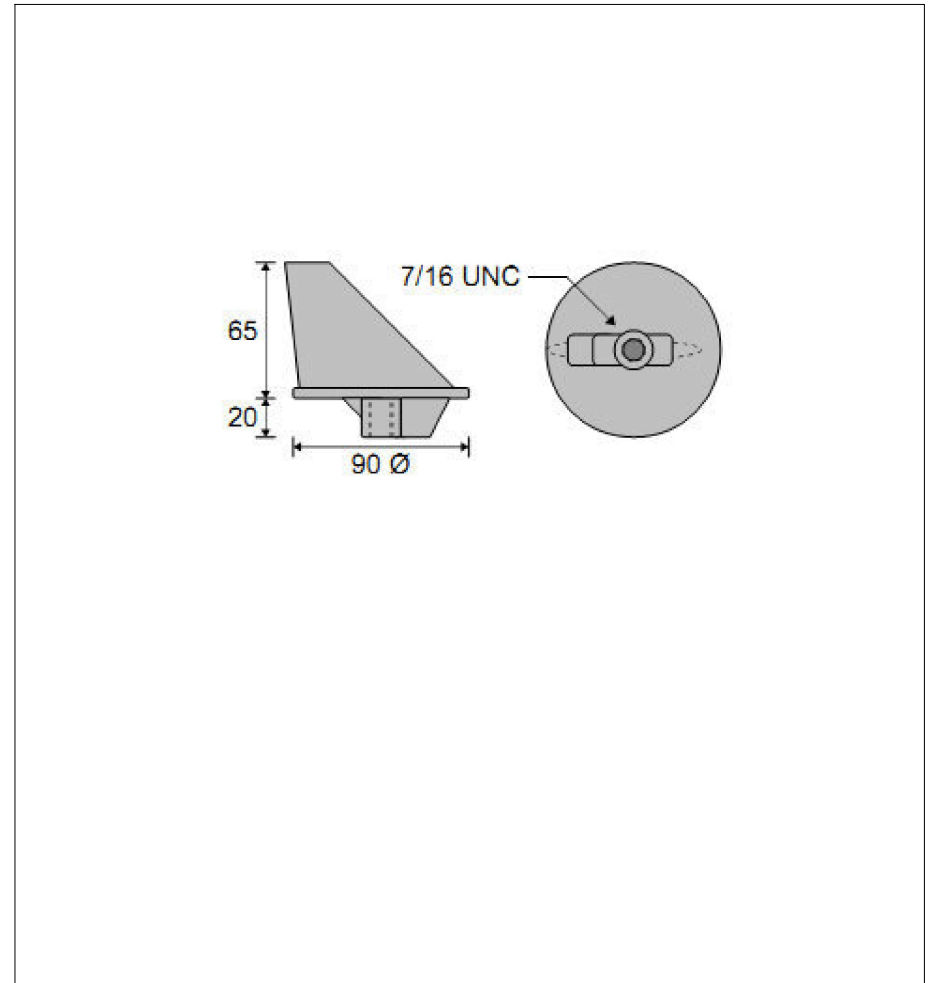


This drawing is the property of Cathodic Anodes Australasia. To be used with permission only.  
 This drawing becomes an uncontrolled document once issued as hard or electronic copy.  
 Customer to confirm current revision of drawing prior to ordering.



Trim Tab Aluminium Anode - Short Leg

Replaces Genuine Part: 31640A

All dimensions are in mm (nominal)

Notes

1. Anodes are cast to comply with CAA's standard casting tolerances
2. All sharp edges removed for safe handling
3. Anode insert material to meet relevant Australian/International specifications

Chemical Composition Limits			Alloy: <b>24779A</b>
Element	min.	max.	
Standard: MIL-DTL-24779A(SH)			
Aluminium	(Most current revision)		
Zinc	4.0	6.5	
Indium	0.014	0.020	
Mercury	-	0.001	
Silicon	0.08	0.20	
Iron	-	0.090	
Copper	-	0.004	
Tin	-	0.001	
Aluminium	remainder		

Rev	Details of Change(s)	Date	Drawn	Verified
1	Cathodic Diecasting Original	15 Aug 2011	R.N.	R.G.
2	2013 / 2019 Catalogue Version (CAA Logo)	21 Aug 2020	R.N.	R.G.

Nett Weight Kg (nominal)	Gross Weight Kg (nominal)
<b>0.190</b>	<b>0.190</b>

**CAA**  
 Cathodic Anodes Australasia  
[cathodicanodes.com.au](http://cathodicanodes.com.au)

Product <b>Aluminium Anode</b>		Scale <b>NTS</b>	
Part no. <b>CDA9-021</b>		Rev <b>2</b>	Sheet <b>1 of 1</b>
Drawing No: <b>CD3102</b>		Date: 21 AUG 2020	
Drawn by: R Northey		Tooling:	
Mould No: X			