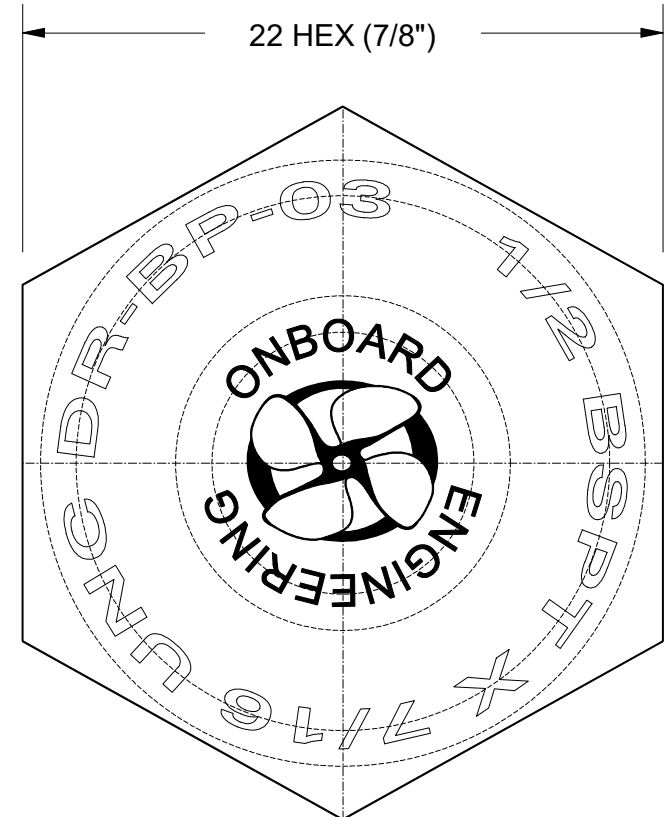
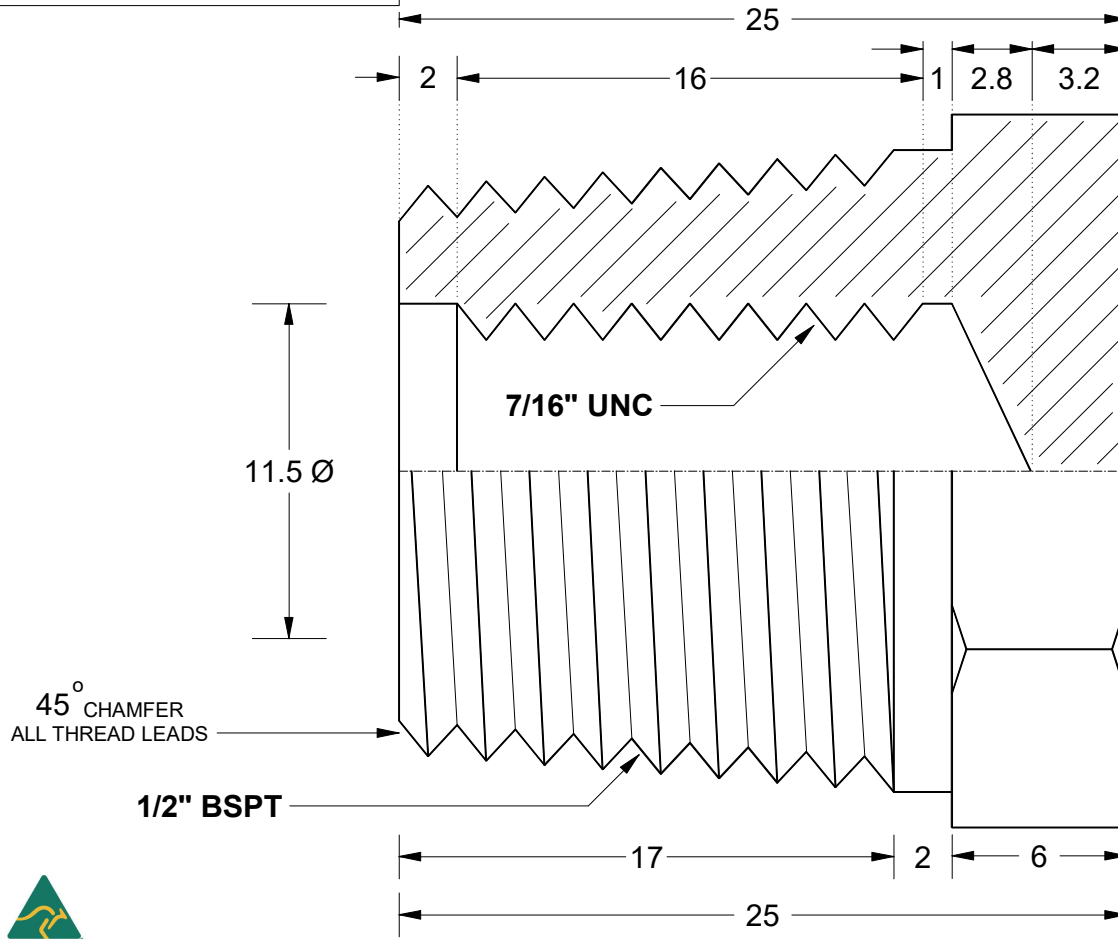


MATERIAL: D.R. BRASS

This drawing is the property of Cathodic Anodes Australasia. To be used with permission only.
 This drawing becomes an uncontrolled document once issued as hard or electronic copy.
 Customer to confirm current revision of drawing prior to ordering.



Stamping As Indicated:

1/2 BSPT X 7/16 UNC DR-BP-03 (Font Size - Approximately 3 mm)



MATERIAL: Dezincification Resistant Brass

AS 1567 Grade 352

(UNS Equivalent C35330)

1/2" BSPT x 7/16" UNC

Rev	Details of Change(s)	Date	Initials
1	For Quotation	23 SEP 20	R.N.



cathodicanodes.com.au

Product D.R. Brass Plug for Zinc Anode(s)	
Part no. Onboard Engineering BP03	Scale N.T.S.
Drawing No: CD2605	Rev 1 Sheet 1 of 1
Drawn by: R Northey Date: 23 SEP 2020	