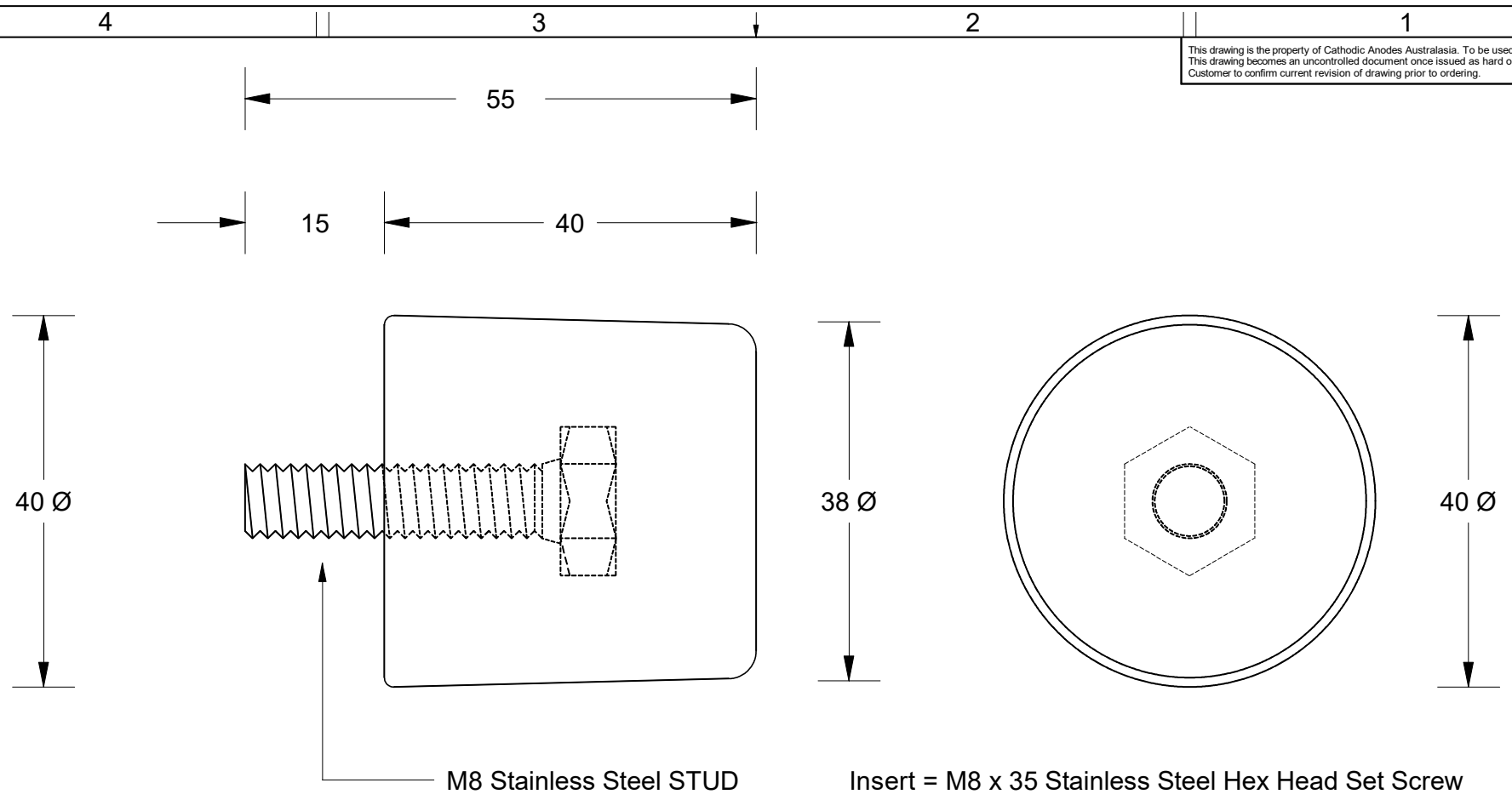


This drawing is the property of Cathodic Anodes Australasia. To be used with permission only.  
 This drawing becomes an uncontrolled document once issued as hard or electronic copy.  
 Customer to confirm current revision of drawing prior to ordering.



M8 Stainless Steel STUD

Insert = M8 x 35 Stainless Steel Hex Head Set Screw

Chemical Composition Limits			Alloy: <b>Z1</b>
Standard: AS2239* (Most current revision)			
Zinc			
Element	min.	max.	
Cadmium	0.025	0.07	
Aluminium	0.10	0.50	
Silicon	-	0.005	
Copper	-	0.005	
Iron	-	0.005	
Lead	-	0.006	
Other Impurities			
- each	-	0.005	
- total	-	0.02	
Zinc	remainder		

\* Corresponds to MIL-DTL-18001L alloy composition

- Notes
1. Anodes are cast to comply with CAA's standard casting tolerances
  2. All sharp edges removed for safe handling
  3. Anode insert material to meet relevant Australian/International specifications



Rev	Details of Change(s)	Date	Nett Weight		Gross Weight	
			Kg (nominal)		Kg (nominal)	
1	For Manufacture	25 Sept 2019	<b>N/A</b>	<b>0.35</b>	Drawn	Verified
					R.N.	L.S.

**CAA**  
 Cathodic Anodes Australasia  
 cathodicanodes.com.au

Product			
<b>Zinc Anode</b>			
Part no.		Scale	
<b>CDZ6C-40B Type 5</b>		<b>1.5 : 1</b>	
Drawing No: <b>CD2534</b>		Rev	Sheet
		<b>1</b>	<b>1 of 1</b>
Drawn by: R Northey		Date: 25 SEP 2019	

All dimensions are in mm (nominal)