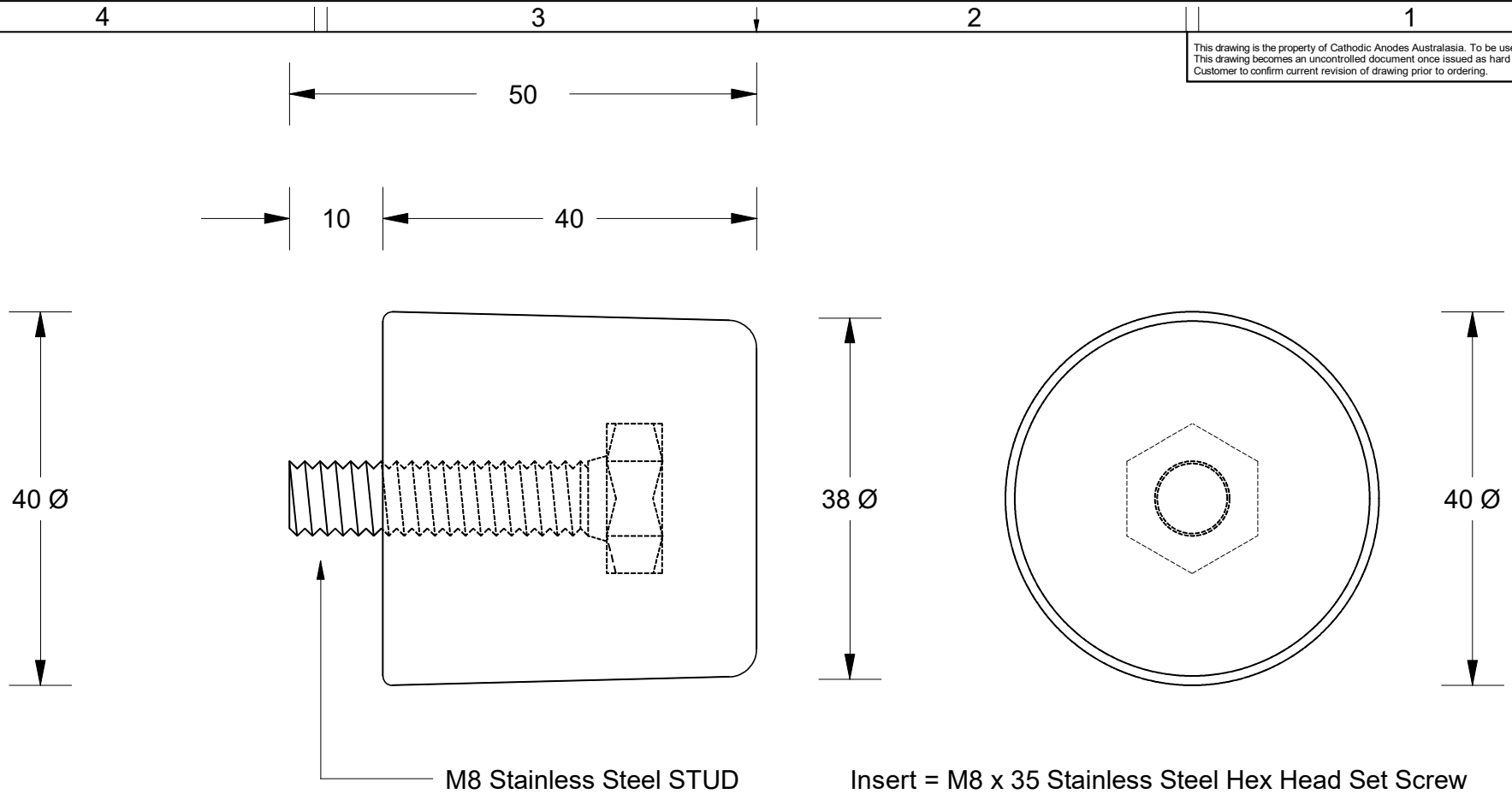


This drawing is the property of Cathodic Anodes Australasia. To be used with permission only.
 This drawing becomes an uncontrolled document once issued as hard or electronic copy.
 Customer to confirm current revision of drawing prior to ordering.



Chemical Composition Limits			Alloy: Z1
Standard: AS2239* (Most current revision)			
Element	min.	max.	
Zinc			
Cadmium	0.025	0.07	
Aluminium	0.10	0.50	
Silicon	-	0.005	
Copper	-	0.005	
Iron	-	0.005	
Lead	-	0.006	
Other Impurities			
- each	-	0.005	
- total	-	0.02	
Zinc		remainder	

* Corresponds to MIL-DTL-18001L alloy composition

Notes

1. Anodes are cast to comply with CAA's standard casting tolerances
2. All sharp edges removed for safe handling
3. Anode insert material to meet relevant Australian/International specifications



Rev	Details of Change(s)	Date	Drawn	Verified
1	For Manufacture	04 July 2019	R.N.	L.S.

Nett Weight Kg (nominal)	Gross Weight Kg (nominal)
N/A	0.35



Cathodic Anodes Australasia

cathodicanodes.com.au

Product Zinc Anode			
Part no. CDZ6C-40B Type 4		Scale 1.5 : 1	
Drawing No: CD2513		Rev 1	Sheet 1 of 1
Drawn by: R Northey Date: 04 JUL 2019			

All dimensions are in mm (nominal)