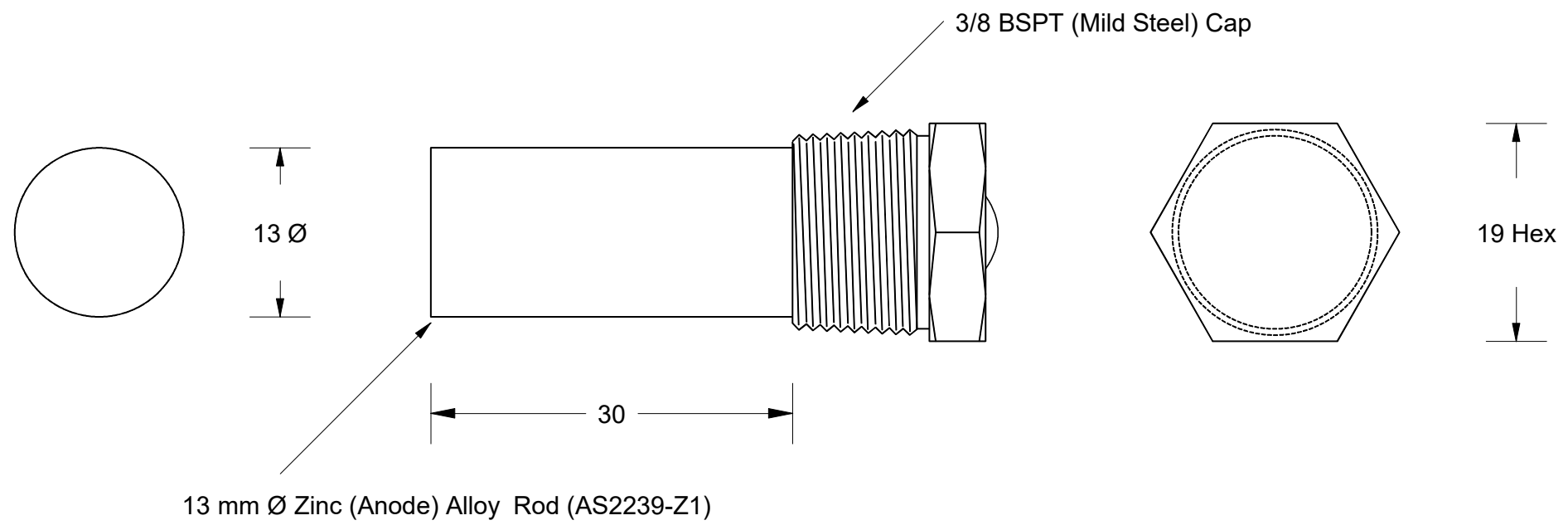


This drawing is the property of Cathodic Anodes Australasia. To be used with permission only. This drawing becomes an uncontrolled document once issued as hard or electronic copy. Customer to confirm current revision of drawing prior to ordering.



Chemical Composition Limits			Alloy:
Standard: AS2239* (Most current revision)			<b>Z1</b>
Zinc			
Element	min.	max.	
Cadmium	0.025	0.07	
Aluminium	0.10	0.50	
Silicon	-	0.005	
Copper	-	0.005	
Iron	-	0.005	
Lead	-	0.006	
Other Impurities			
- each	-	0.005	
- total	-	0.02	
Zinc	remainder		

- Notes
- Anodes are cast to comply with CAA's standard casting tolerances
  - All sharp edges removed for safe handling
  - Anode insert material to meet relevant Australian/International specifications

Nett Weight		Gross Weight	
Kg (nominal)		Kg (nominal)	
<b>0.520</b>		<b>0.550</b>	
Rev	Details of Change(s)	Drawn	Initials
1	For Quotation	23 MAY 16	R.N.

**CAA**  
Cathodic Anodes Australasia

[cathodicanodes.com.au](http://cathodicanodes.com.au)

Product		<b>Zinc Anode</b>	
Part no.	<b>CDZR-Z1-13-0030-A</b>	Scale	<b>2 : 1</b>
Drawing No:	<b>CD2266</b>	Rev	Sheet
		<b>1</b>	<b>1 of 1</b>
Drawn by:	R Northey	Date:	23 MAY 2016
All dimensions are in mm (nominal)			

\* Corresponds to MIL-DTL-18001L alloy composition