

This drawing is the property of Cathodic Anodes Australasia. To be used with permission only.
 This drawing becomes an uncontrolled document once issued as hard or electronic copy.
 Customer to confirm current revision of drawing prior to ordering.

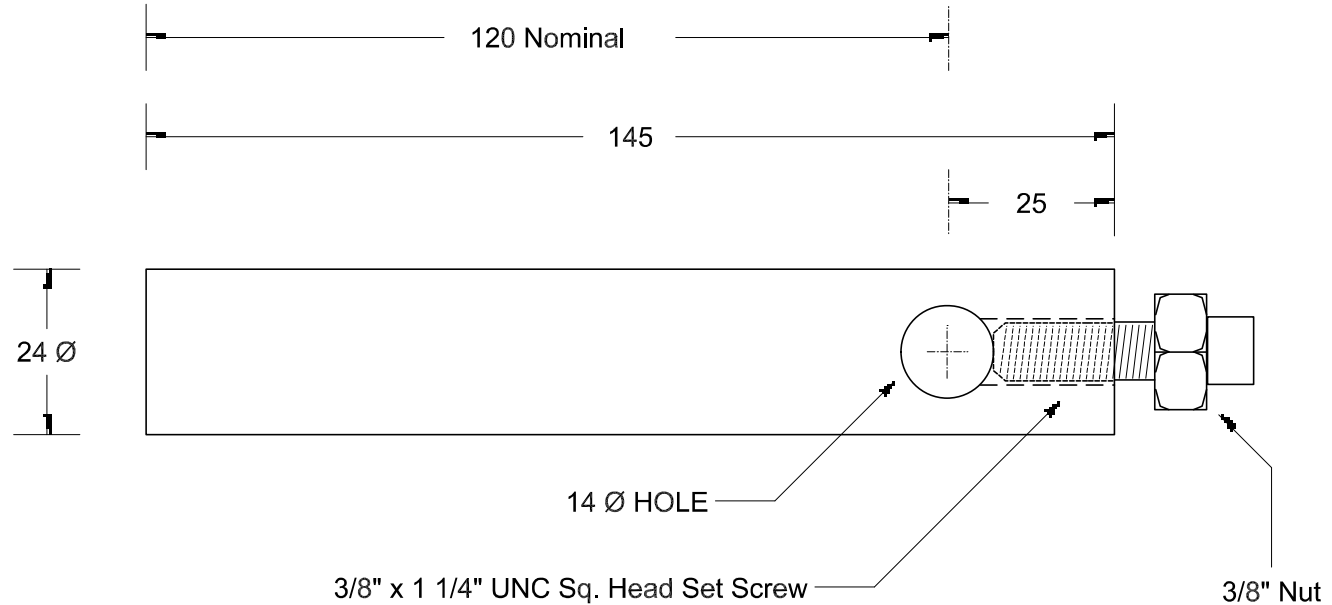
4 3 2 1

D D

C C

B B

A A



Note: Square Head Set Screws to be Cup Point Case Hardened



Weight = 0.510 kg



cathodicanodes.com.au

Product		24 Ø Anode Mounting Stud	
Part no.	n/a	Scale	1 : 1
Drawing No:	CD1218	Rev	3
Drawn by:	R.N.	Date:	16 MAR 2016
All dimensions are in mm (nominal)			

- Notes
- Anodes are cast to comply with CAA's standard casting tolerances
 - All sharp edges removed for safe handling
 - Anode insert material to meet relevant Australian/International specifications

4 3 2 1