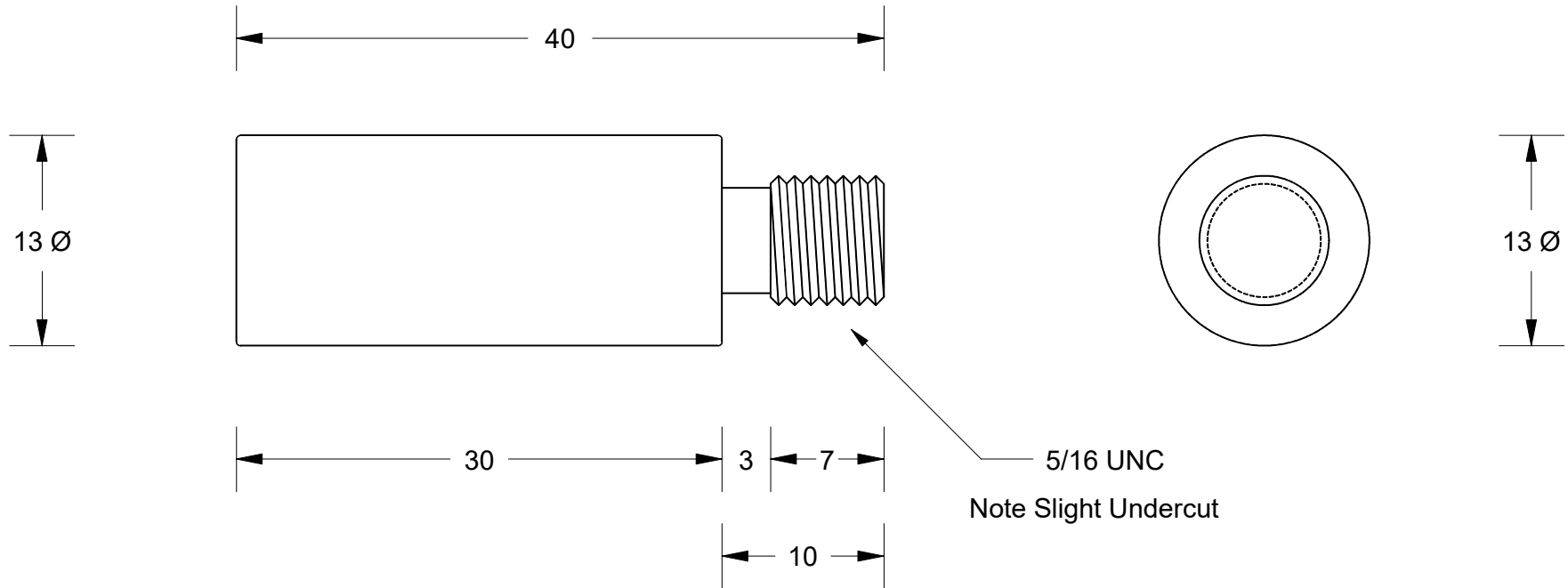


This drawing is the property of Cathodic Anodes Australasia. To be used with permission only.
 This drawing becomes an uncontrolled document once issued as hard or electronic copy.
 Customer to confirm current revision of drawing prior to ordering.

NO SHARP EDGES



Chemical Composition Limits			Alloy:
Standard: AS2239* ^(Most current revision)			Z1
Zinc			
Element	min.	max.	
Cadmium	0.025	0.07	
Aluminium	0.10	0.50	
Silicon	-	0.005	
Copper	-	0.005	
Iron	-	0.005	
Lead	-	0.006	
Other Impurities			
- each	-	0.005	
- total	-	0.02	
Zinc	remainder		

Notes

1. Anodes are cast to comply with CAA's standard casting tolerances
2. All sharp edges removed for safe handling
3. Anode insert material to meet relevant Australian/International specifications



Nett Weight Kg (nominal)	Gross Weight Kg (nominal)
0.030	0.030

Rev	Details of Change(s)	Date	Drawn	Verified
1	Cathodic Diecasting Original	19 July 2011	R.N.	R.G.
2	2013 Catalogue Version (CAA Logo)	26 November 2014	R.N.	R.G.



Cathodic Anodes Australasia

cathodicanodes.com.au

All dimensions are in mm (nominal)

Product		Zinc Anode	
Part no.	CDZ9-159	Scale	2.5 : 1
Drawing No:	CD3031	Rev	2
Drawn by: R Northey	Date: 26 NOV 2014	Sheet	1 of 1



* Corresponds to MIL-DTL-18001L alloy composition