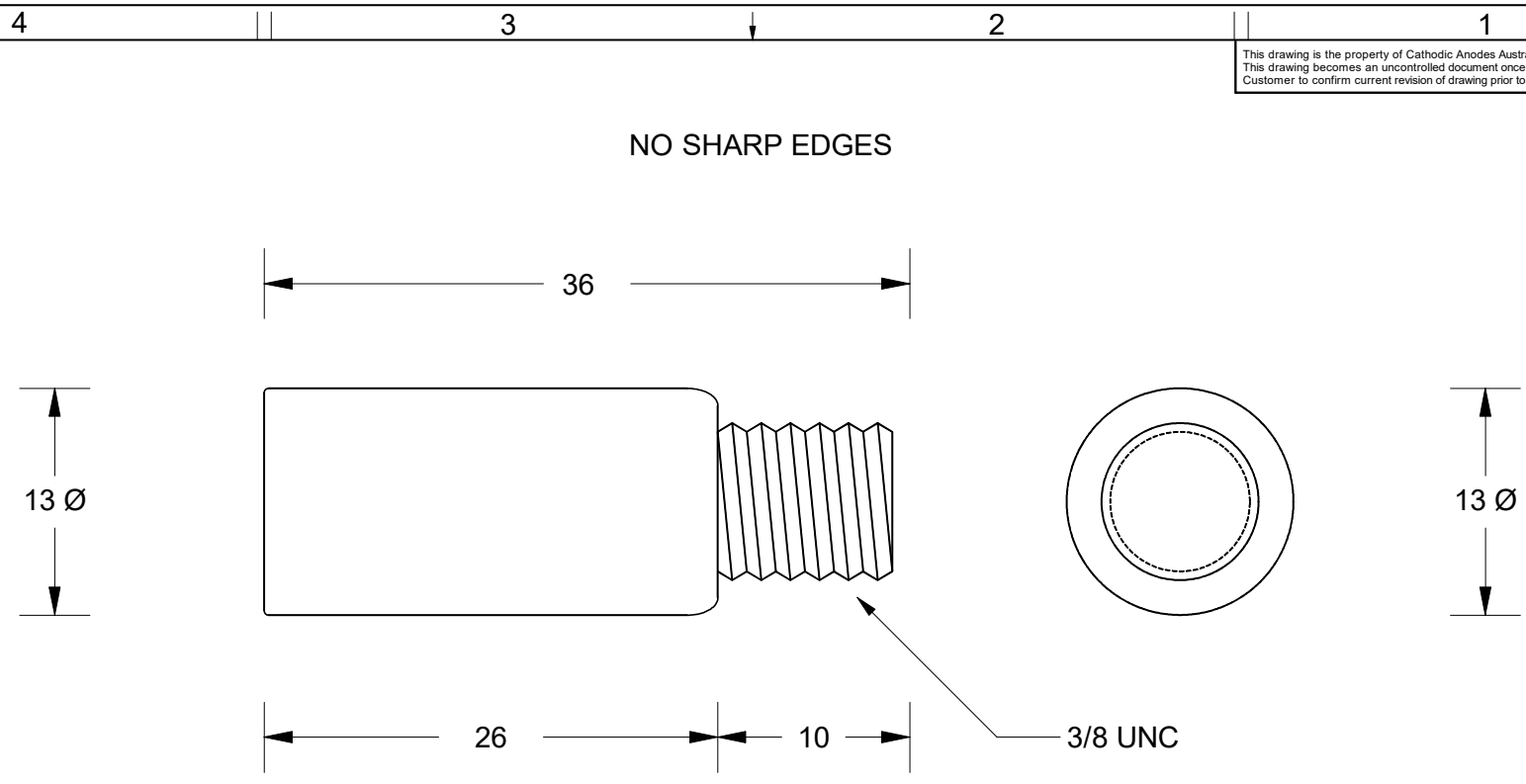


This drawing is the property of Cathodic Anodes Australasia. To be used with permission only. This drawing becomes an uncontrolled document once issued as hard or electronic copy. Customer to confirm current revision of drawing prior to ordering.



Part-Off 26mm from a stock CDZ9-035

All dimensions are in mm (nominal)

Chemical Composition Limits			Alloy: Z1
Element	min.	max.	
Standard: AS2239* (Most current revision)			
Zinc			
Cadmium	0.025	0.07	
Aluminium	0.10	0.50	
Silicon	-	0.005	
Copper	-	0.005	
Iron	-	0.005	
Lead	-	0.006	
Other Impurities			
- each	-	0.005	
- total	-	0.02	
Zinc	remainder		

* Corresponds to MIL-DTL-18001L alloy composition

- Notes
- Anodes are cast to comply with CAA's standard casting tolerances
 - All sharp edges removed for safe handling
 - Anode insert material to meet relevant Australian/International specifications



Rev	Details of Change(s)	Date	Nett Weight		Gross Weight	
			Kg (nominal)		Kg (nominal)	
			0.025		N/A	
1	For Manufacture	08 June 2020		R.N.	R.G.	

CAA
Cathodic Anodes Australasia
cathodicanodes.com.au

Product Zinc Anode		Scale 2.5 : 1	
Part no. CDZ9-223		Rev 1	Sheet 1 of 1
Drawing No: CD2582			
Drawn by: R Northey Date: 08 JUN 2020			