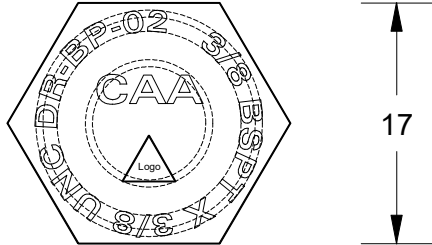
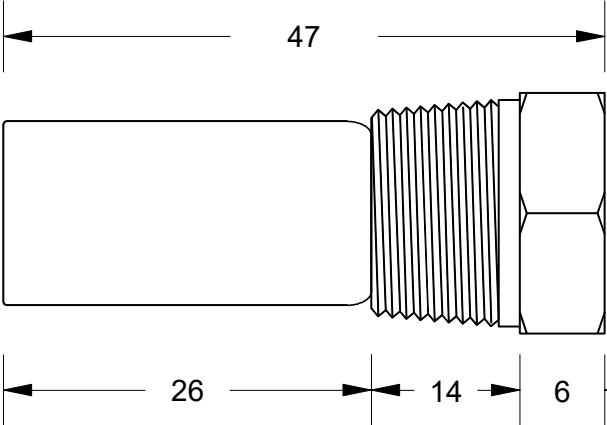
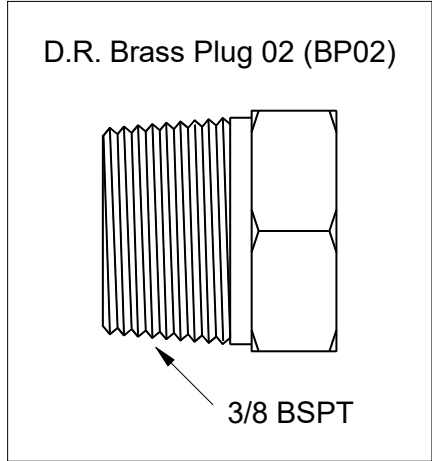
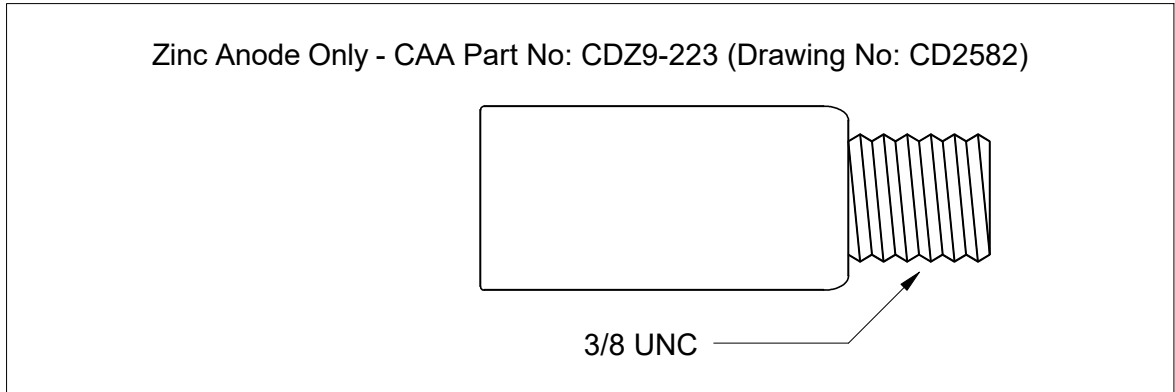


4 3 2 1
COMBINATION SET - Individual Components Shown At Top - Plug Material: DEZINCIFICATION RESISTANT BRASS

This drawing is the property of Cathodic Anodes Australasia. To be used with permission only. This drawing becomes an uncontrolled document once issued as hard or electronic copy. Customer to confirm current revision of drawing prior to ordering.



△ Logo = Australian Made Logo

All dimensions are in mm (nominal)

NO SHARP EDGES

13 Ø

To Suit: ZF Transmission Oil Cooler

Chemical Composition Limits		Alloy: Z1
Standard: AS2239* (Most current revision)	Zinc	
Element	min.	max.
Cadmium	0.025	0.07
Aluminium	0.10	0.50
Silicon	-	0.005
Copper	-	0.005
Iron	-	0.005
Lead	-	0.006
Other Impurities		
- each	-	0.005
- total	-	0.02
Zinc		remainder

* Corresponds to MIL-DTL-18001L alloy composition

- Notes
- Anodes are cast to comply with CAA's standard casting tolerances
 - All sharp edges removed for safe handling
 - Anode insert material to meet relevant Australian/International specifications



Rev	Details of Change(s)	Date	Drawn	Verified
1	For Manufacture	08 June 2020	R.N.	R.G.
2	Stamping & Logo added to DR Brass Plug	10 Nov 2020	R.N.	R.G.

Nett Weight Kg (nominal)	Gross Weight Kg (nominal)
0.025	0.055



Product Zinc Anode & DR Brass Plug	
Part no. CDZ9-222	Scale 2 : 1
Drawing No: CD2581	Rev 2 Sheet 1 of 1
Drawn by: R Northey	Date: 10 NOV 2020

