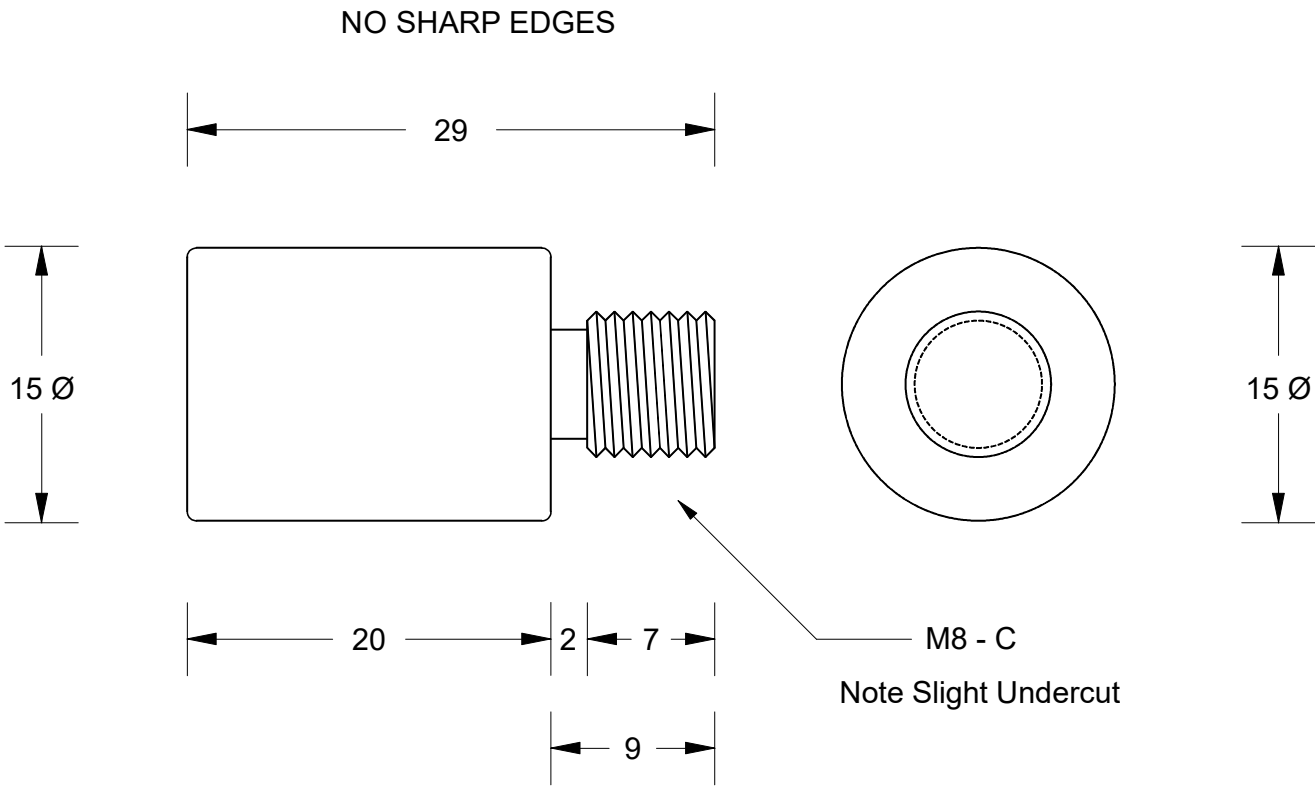


This drawing is the property of Cathodic Anodes Australasia. To be used with permission only.
 This drawing becomes an uncontrolled document once issued as hard or electronic copy.
 Customer to confirm current revision of drawing prior to ordering.



Note: 15 Ø is Machined Down from 16 Ø Bar Stock

Chemical Composition Limits		Alloy:
Standard: AS2239* ^(Most current revision)		Z1
Zinc		
Element	min.	max.
Cadmium	0.025	0.07
Aluminium	0.10	0.50
Silicon	-	0.005
Copper	-	0.005
Iron	-	0.005
Lead	-	0.006
Other Impurities		
- each	-	0.005
- total	-	0.02
Zinc	remainder	

* Corresponds to MIL-DTL-18001L alloy composition

- Notes
1. Anodes are cast to comply with CAA's standard casting tolerances
 2. All sharp edges removed for safe handling
 3. Anode insert material to meet relevant Australian/International specifications

All dimensions are in mm (nominal)

Rev	Details of Change(s)	Date	Drawn	Verified
1	For Manufacture	08 June 2020	R.N.	R.G.

Nett Weight Kg (nominal)	Gross Weight Kg (nominal)
0.035	0.035



Cathodic Anodes Australasia

cathodicanodes.com.au

Product Zinc Anode	
Part no. CDZ9-219	Scale 2.5 : 1
Drawing No: CD2578	Rev 1 Sheet 1 of 1
Drawn by: R Northey Date: 08 JUN 2020	