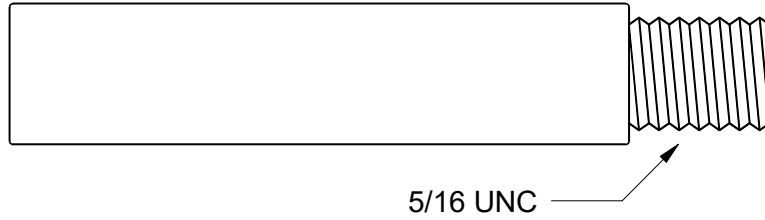


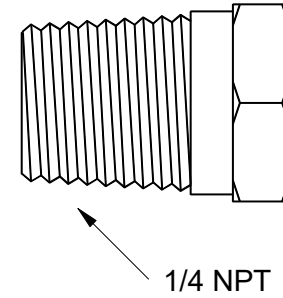
COMBINATION SET - Individual Components Shown At Top - Plug Material: DEZINCIFICATION RESISTANT BRASS

This drawing is the property of Cathodic Anodes Australasia. To be used with permission only. This drawing becomes an uncontrolled document once issued as hard or electronic copy. Customer to confirm current revision of drawing prior to ordering.

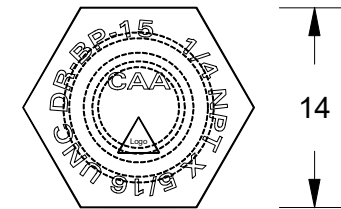
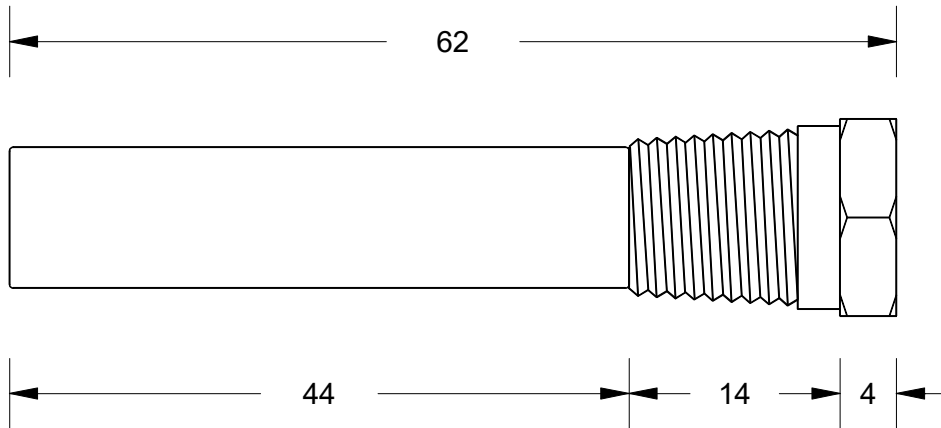
Zinc Anode Only - CAA Part No: CDZ9-033 (Drawing No: CD1307)



D.R. Brass Plug 15 (BP15)



9.5 Ø



NO SHARP EDGES

Logo = Australian Made Logo

All dimensions are in mm (nominal)

Chemical Composition Limits		Alloy: Z1
Standard: AS2239* (Most current revision)		
Element	min.	max.
Cadmium	0.025	0.07
Aluminium	0.10	0.50
Silicon	-	0.005
Copper	-	0.005
Iron	-	0.005
Lead	-	0.006
Other Impurities		
- each	-	0.005
- total	-	0.02
Zinc		remainder

* Corresponds to MIL-DTL-18001L alloy composition

Notes

- Anodes are cast to comply with CAA's standard casting tolerances
- All sharp edges removed for safe handling
- Anode insert material to meet relevant Australian/International specifications



Rev	Details of Change(s)	Date	Nett Weight Kg (nominal)		Gross Weight Kg (nominal)	
			0.020	0.035	Drawn	Verified
1	For Manufacture	08 June 2020	R.N.	R.G.		
2	Stamping & Logo added to DR Brass Plug	10 Nov 2020	R.N.	R.G.		

CAA
Cathodic Anodes Australasia

cathodicanodes.com.au

Product Zinc Anode & DR Brass Plug		Scale 2 : 1	
Part no. CDZ9-216	Rev 2	Sheet 1 of 1	
Drawing No: CD2575		Date: 10 NOV 2020	
Drawn by: R Northey		Date: 10 NOV 2020	

