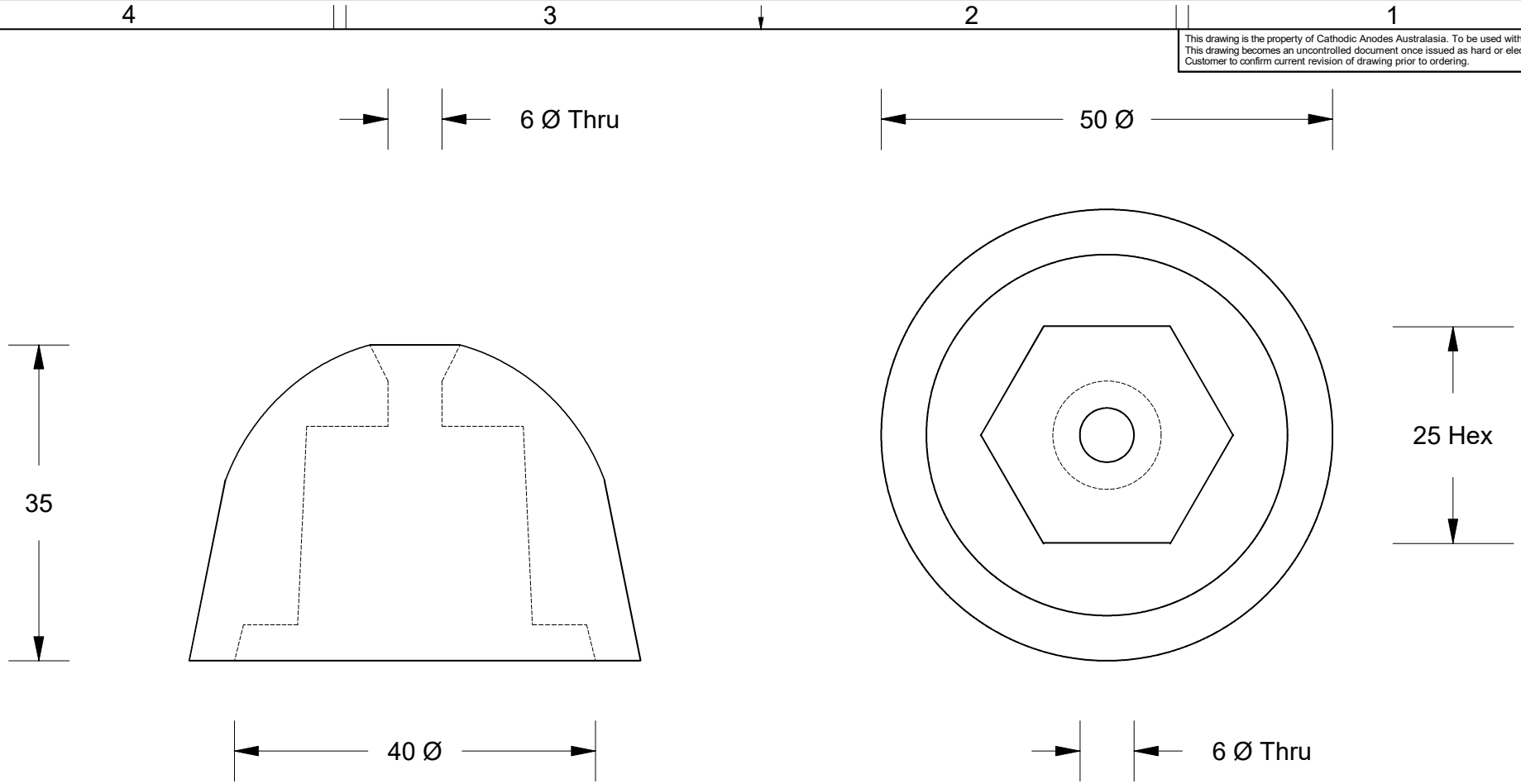


This drawing is the property of Cathodic Anodes Australasia. To be used with permission only.
 This drawing becomes an uncontrolled document once issued as hard or electronic copy.
 Customer to confirm current revision of drawing prior to ordering.



Twin Disc - Bow Thruster to suit: BP220

All dimensions are in mm (nominal)

Chemical Composition Limits			Alloy: Z1
Standard: AS2239* (Most current revision)			
Zinc			
Element	min.	max.	
Cadmium	0.025	0.07	
Aluminium	0.10	0.50	
Silicon	-	0.005	
Copper	-	0.005	
Iron	-	0.005	
Lead	-	0.006	
Other Impurities			
- each	-	0.005	
- total	-	0.02	
Zinc	remainder		

* Corresponds to MIL-DTL-18001L alloy composition

- Notes**
1. Anodes are cast to comply with CAA's standard casting tolerances
 2. All sharp edges removed for safe handling
 3. Anode insert material to meet relevant Australian/International specifications

Rev	Details of Change(s)	Date	Drawn	Verified
1	New Part Addition	04 March 2019	R.N.	R.G.

Nett Weight Kg (nominal)	Gross Weight Kg (nominal)
0.220	0.220

CAA
Cathodic Anodes Australasia

cathodicanodes.com.au

Product Zinc Anode			
Part no. CDZ9-207		Scale 1.5 : 1	
Drawing No: CD2482		Rev 1	Sheet 1 of 1
Drawn by: R Northey		Date: 04 MAR 2019	
Mould No: N/A		Tooling: N/A	

