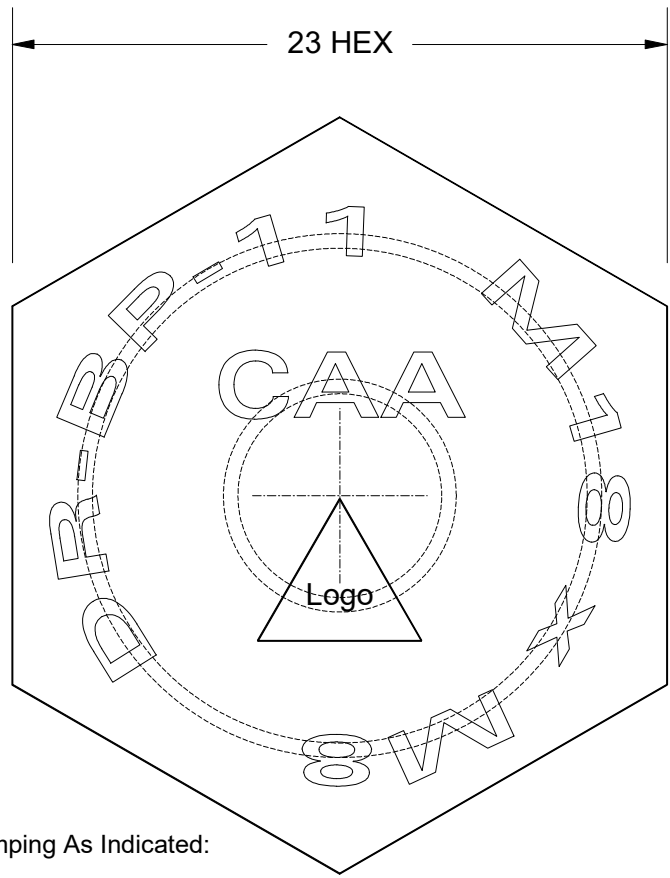
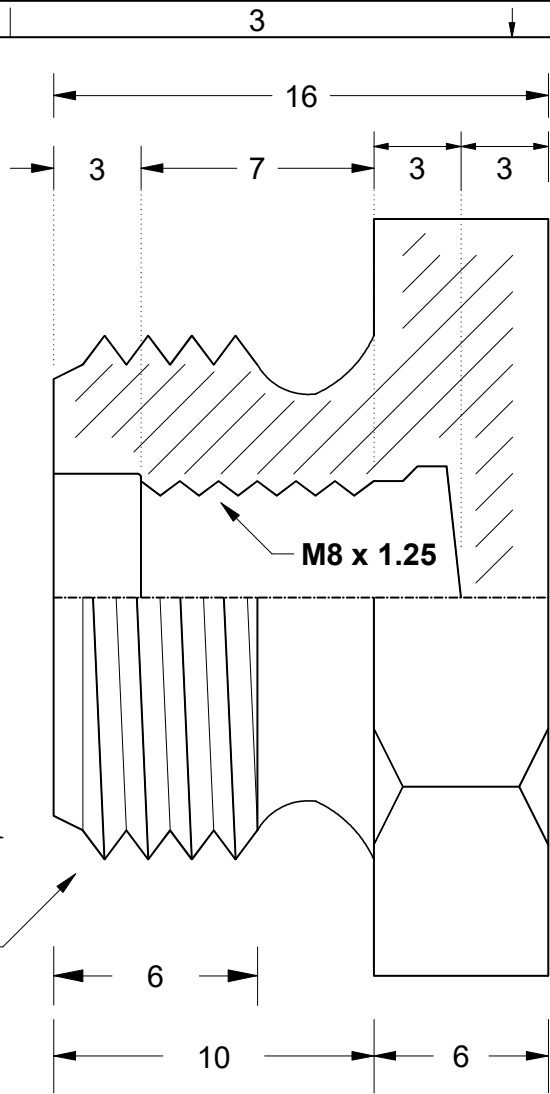


This drawing is the property of Cathodic Anodes Australasia. To be used with permission only. This drawing becomes an uncontrolled document once issued as hard or electronic copy. Customer to confirm current revision of drawing prior to ordering.

MATERIAL: D.R. BRASS



Stamping As Indicated:

M18 x M8 DR-BP-11 CAA (Font Size - Approximately 3 mm)

As per Samples Supplied in June 2020  = Australian Made Logo



MATERIAL: Dezincification Resistant Brass

AS 1567 Grade 352

(UNS Equivalent C35330)


(M18 x 1.5) x (M8 x 1.25)

Rev	Details of Change(s)	Date	Initials	Verified	Initials
1	For Manufacture	15 MAR 18	R.N.	15 MAR 18	R.G.
2	Hex Head Stamping Added	10 JUL 19	R.N.	10 JUL 19	R.G.
3	Stamping On Head Changed	09 NOV 20	R.N.	09 NOV 20	R.G.



Cathodic Anodes Australasia

cathodicanodes.com.au

Product		D.R. Brass Plug for Zinc Anode(s)	
Part no.	BP11 (Brass Plug 11)	Scale	N.T.S.
Drawing No:	CD2449	Rev	3
Sheet	1 of 1		
Drawn by: R Northey		Date: 09 NOV 2020	