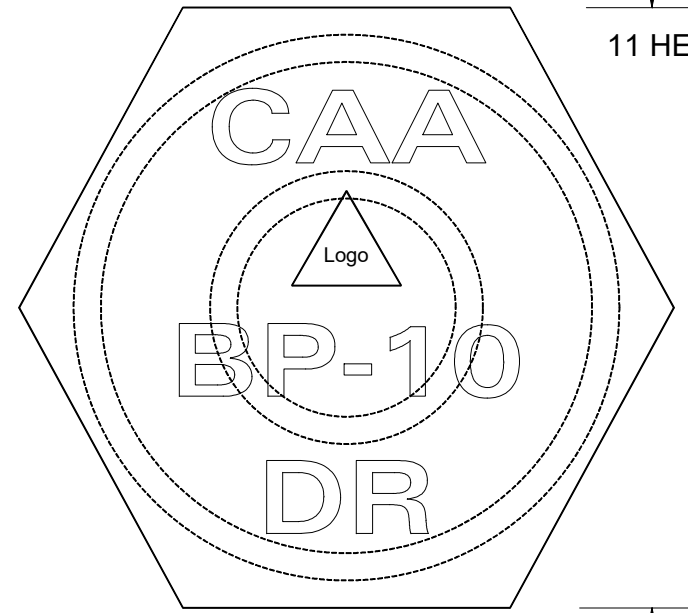
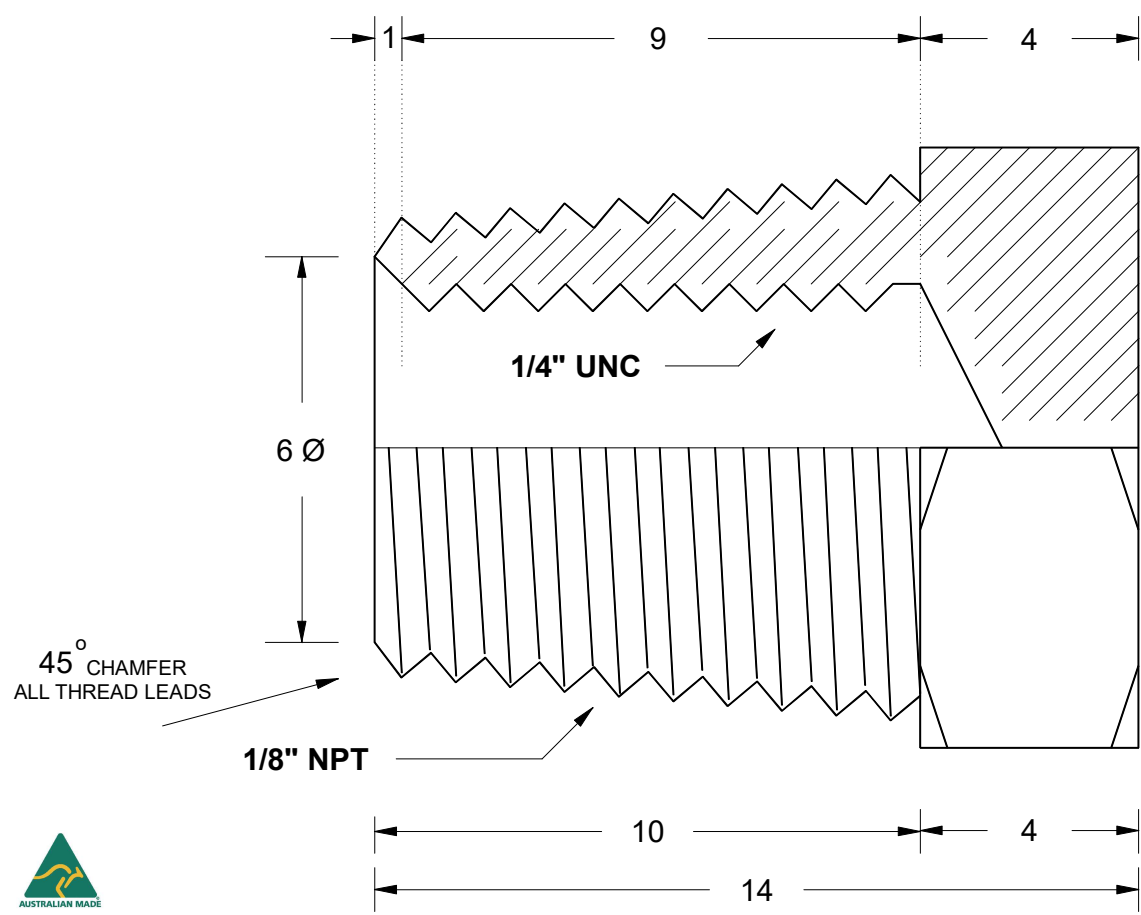



MATERIAL: D.R. BRASS

This drawing is the property of Cathodic Anodes Australasia. To be used with permission only. This drawing becomes an uncontrolled document once issued as hard or electronic copy. Customer to confirm current revision of drawing prior to ordering.



Stamping As Indicated: CAA BP-10 DR
 (Font Size - Approximately 2 mm)
 As per Samples Supplied in June 2020  = Australian Made Logo



MATERIAL: Dezincification Resistant Brass
 AS 1567 Grade 352
 (UNS Equivalent C35330)

1/8" NPT x 1/4" UNC



Product		D.R. Brass Plug for Zinc Anode(s)	
Part no.	BP10 (Brass Plug 10)	Scale	N.T.S.
Drawing No:	CD2445	Rev	Sheet
		3	1 of 1
Drawn by: R Northey	Date: 09 NOV 2020		

Rev	Details of Change(s)	Date	Initials
1	2018 Catalogue Version	16 FEB 18	R.N.
2	Hex Head Stamping Added	18 JUL 19	R.N.
3	Stamping On Head Changed	09 NOV 20	R.N.