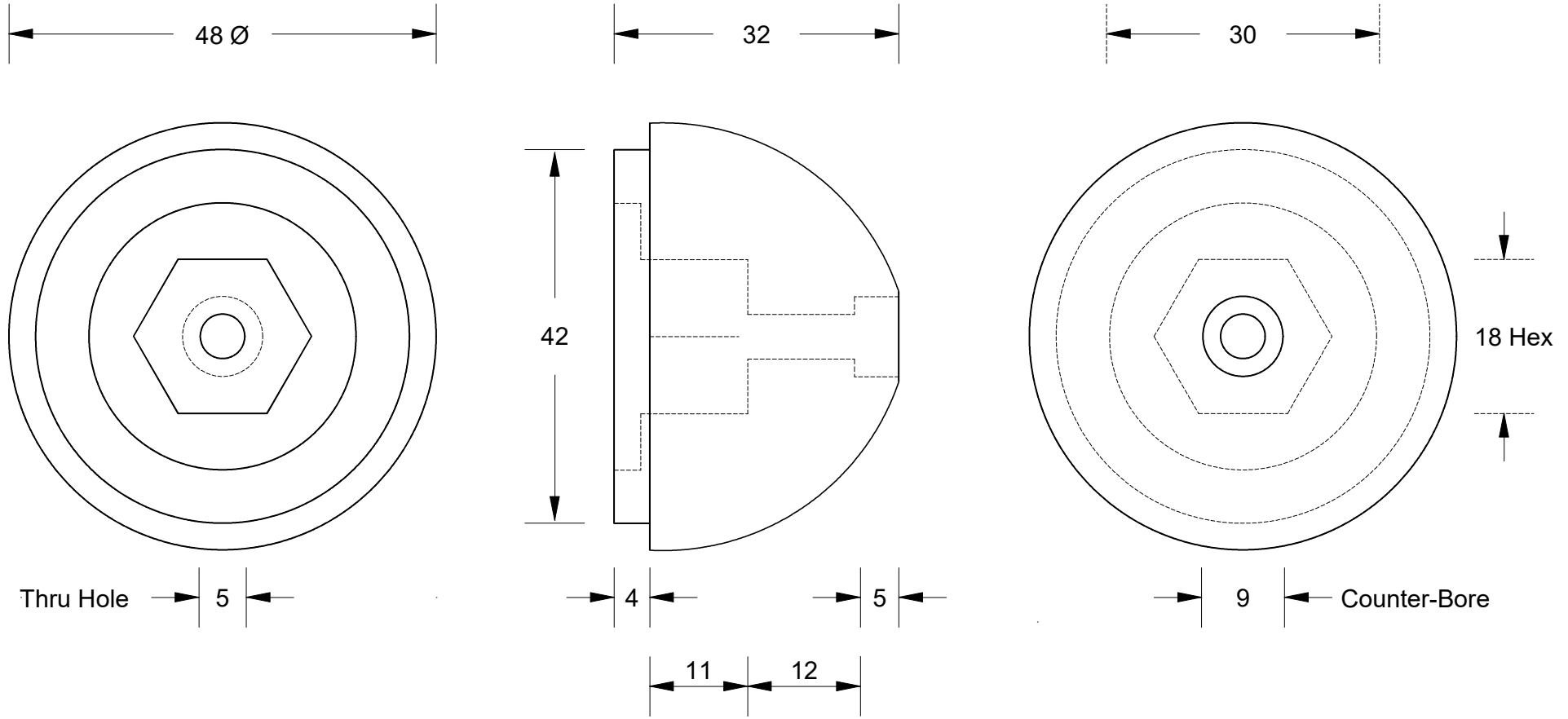


This drawing is the property of Cathodic Anodes Australasia. To be used with permission only. This drawing becomes an uncontrolled document once issued as hard or electronic copy. Customer to confirm current revision of drawing prior to ordering.



Thru Hole

5

42

4

5

9

Counter-Bore

18 Hex

11

12

Chemical Composition Limits			Alloy:
Standard: AS2239* (Most current revision)			Z1
Element	min.	max.	
Cadmium	0.025	0.07	
Aluminium	0.10	0.50	
Silicon	-	0.005	
Copper	-	0.005	
Iron	-	0.005	
Lead	-	0.006	
Other Impurities	-	0.005	
- each	-	0.005	
- total	-	0.02	
Zinc	remainder		

* Corresponds to MIL-DTL-18001L alloy composition

Notes

- Anodes are cast to comply with CAA's standard casting tolerances
- All sharp edges removed for safe handling
- Anode insert material to meet relevant Australian/International specifications

All dimensions are in mm (nominal)

Rev	Details of Change(s)	Date	Drawn	Verified
1	New Part Addition	18 September 2017	R.N.	R.G.

Nett Weight	Gross Weight
Kg (nominal)	Kg (nominal)
0.225	0.225



Cathodic Anodes Australasia

cathodicanodes.com.au

Product			
Zinc Anode			
Part no.		Scale	
CDZ9 - 193		1.5 : 1	
Drawing No: CD2403		Rev	Sheet
		1	1 of 1
Drawn by: R Northey		Date: 18 SEP 2017	
Mould No: N/A		Tooling: N/A	

