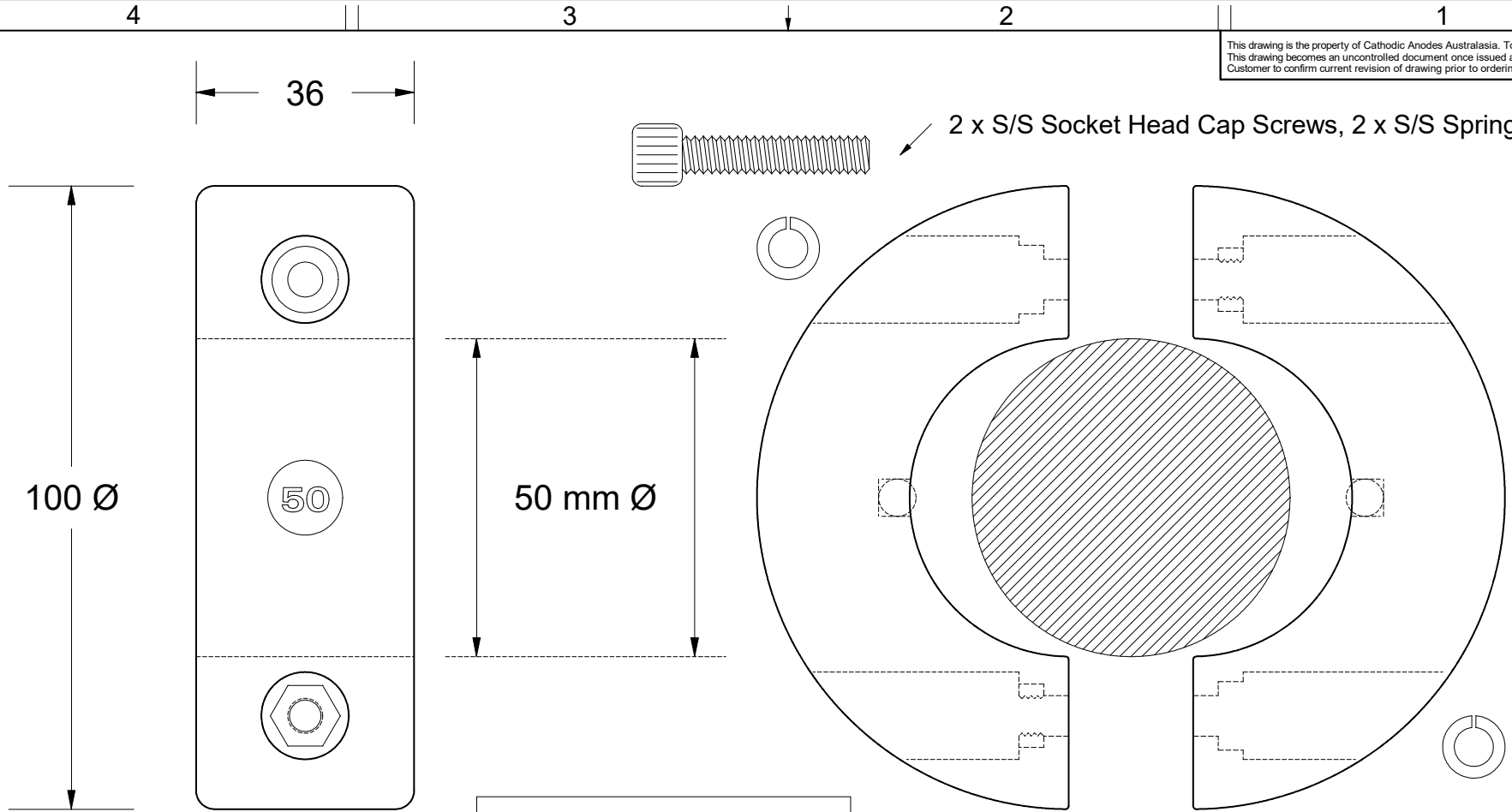


This drawing is the property of Cathodic Anodes Australasia. To be used with permission only. This drawing becomes an uncontrolled document once issued as hard or electronic copy. Customer to confirm current revision of drawing prior to ordering.



2 x S/S Socket Head Cap Screws, 2 x S/S Spring Washers

2 x "Cast In" S/S Hex Nuts

2 x Copper Contacts

All dimensions are in mm (nominal)

Chemical Composition Limits		Alloy:	
Standard: AS2239* (Most current revision)		<b>Z1</b>	
Zinc			
Element	min.	max.	
Cadmium	0.025	0.07	
Aluminium	0.10	0.50	
Silicon	-	0.005	
Copper	-	0.005	
Iron	-	0.005	
Lead	-	0.006	
Other Impurities			
- each	-	0.005	
- total	-	0.02	
Zinc	remainder		

\* Corresponds to MIL-DTL-18001L alloy composition

- Notes
1. Anodes are cast to comply with CAA's standard casting tolerances
  2. All sharp edges removed for safe handling
  3. Anode insert material to meet relevant Australian/International specifications

Rev	Details of Change(s)	Date	Drawn	Verified
1	Introduced July 2016	13 July 2016	R.N.	R.G.

Nett Weight	Gross Weight
Kg (nominal)	Kg (nominal)
<b>1.345</b>	<b>1.360</b>

**CAA**  
Cathodic Anodes Australasia  
cathodicanodes.com.au

Product	
<b>Zinc Anode - DONUT Shaft Anode</b>	
Part no.	Scale
<b>CDZ4 - 50 DM</b>	<b>1 : 1</b>
Drawing No: <b>CD2296</b>	Rev Sheet
	<b>1 1 of 1</b>
Drawn by: R Northey	Date: 13 JUL 2016