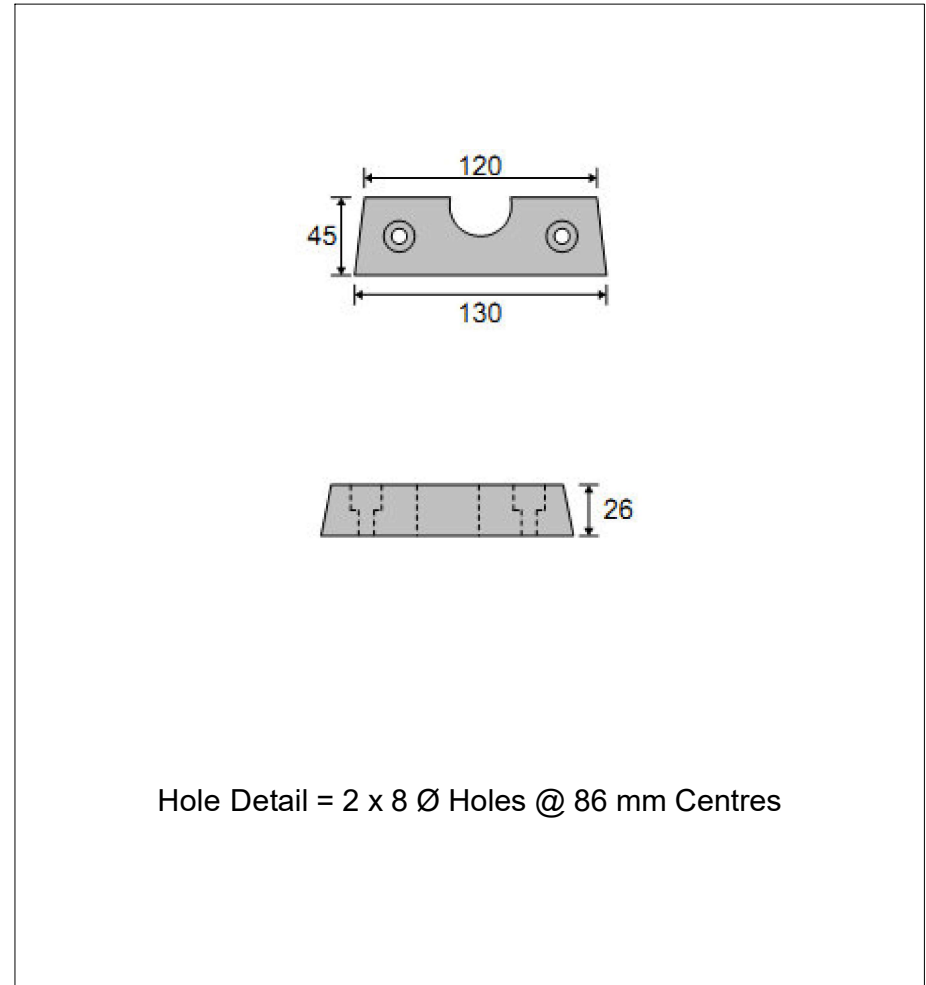


This drawing is the property of Cathodic Anodes Australasia. To be used with permission only.
 This drawing becomes an uncontrolled document once issued as hard or electronic copy.
 Customer to confirm current revision of drawing prior to ordering.



Hole Detail = 2 x 8 Ø Holes @ 86 mm Centres

Penta Bar Anode to suit Duo Prop Models: DPX S, DPX S1, DPX R, DPX A
 Replaces Genuine Part: 872139

All dimensions are in mm (nominal)

Chemical Composition Limits		Alloy:
Standard: AS2239* (Most current revision)		Z1
Zinc		
Element	min.	max.
Cadmium	0.025	0.07
Aluminium	0.10	0.50
Silicon	-	0.005
Copper	-	0.005
Iron	-	0.005
Lead	-	0.006
Other Impurities		
- each	-	0.005
- total	-	0.02
Zinc	remainder	

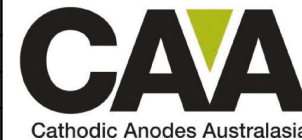
* Corresponds to MIL-DTL-18001L alloy composition

Notes

- Anodes are cast to comply with CAA's standard casting tolerances
- All sharp edges removed for safe handling
- Anode insert material to meet relevant Australian/International specifications

Rev	Details of Change(s)	Date	Drawn	Verified
1	Cathodic Diecasting Original	21 Jun 2011	R.N.	R.G.
2	2013 / 2019 Catalogue Version (CAA Logo)	20 Aug 2020	R.N.	R.G.

Nett Weight Kg (nominal)	Gross Weight Kg (nominal)
0.650	0.650



cathodicanodes.com.au

Product		Zinc Anode	
Part no.	CDZ9-111	Scale	NTS
Drawing No:	CD2156	Rev	2
Drawn by: R Northey	Date: 20 AUG 2020	Sheet	1 of 1
Mould No: X	Tooling:		