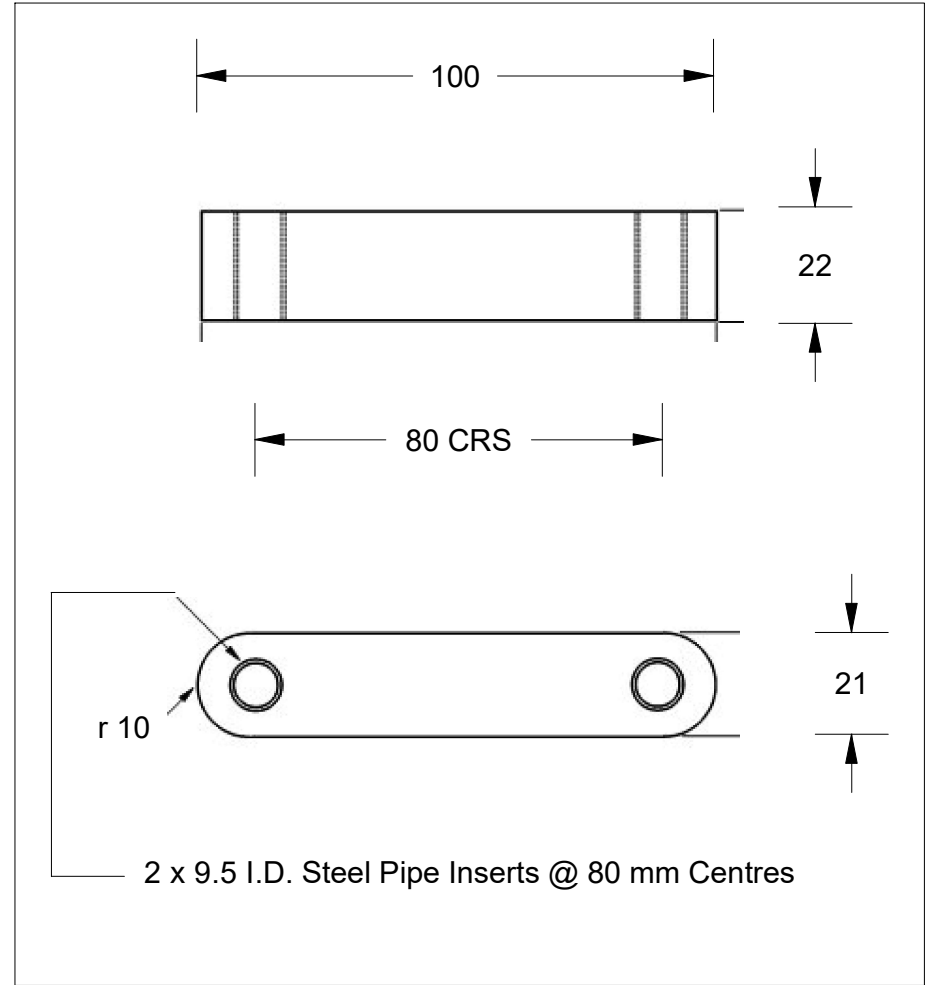


This drawing is the property of Cathodic Anodes Australasia. To be used with permission only.
 This drawing becomes an uncontrolled document once issued as hard or electronic copy.
 Customer to confirm current revision of drawing prior to ordering.



Bar Anode
 Replaces Genuine Part: 104634

All dimensions are in mm (nominal)

Chemical Composition Limits			Alloy: Z1
Element	min.	max.	
Standard: AS2239* (Most current revision)			
Zinc			
Cadmium	0.025	0.07	
Aluminium	0.10	0.50	
Silicon	-	0.005	
Copper	-	0.005	
Iron	-	0.005	
Lead	-	0.006	
Other Impurities			
- each	-	0.005	
- total	-	0.02	
Zinc	remainder		

* Corresponds to MIL-DTL-18001L alloy composition

Notes

1. Anodes are cast to comply with CAA's standard casting tolerances
2. All sharp edges removed for safe handling
3. Anode insert material to meet relevant Australian/International specifications

Rev	Details of Change(s)	Date	Nett Weight Kg (nominal)		Gross Weight Kg (nominal)	
			0.280	0.280	Drawn	Verified
1	Cathodic Diecasting Original	08 Jun 2011			R.N.	R.G.
2	2013 / 2019 Catalogue Version (CAA Logo)	20 Aug 2020			R.N.	R.G.



Cathodic Anodes Australasia

cathodicanodes.com.au

Product Zinc Anode			
Part no. CDZ9-087		Scale NTS	
Drawing No: CD2128		Rev 2	Sheet 1 of 1
Drawn by: R Northey Date: 20 AUG 2020			
Mould No: X		Tooling:	

