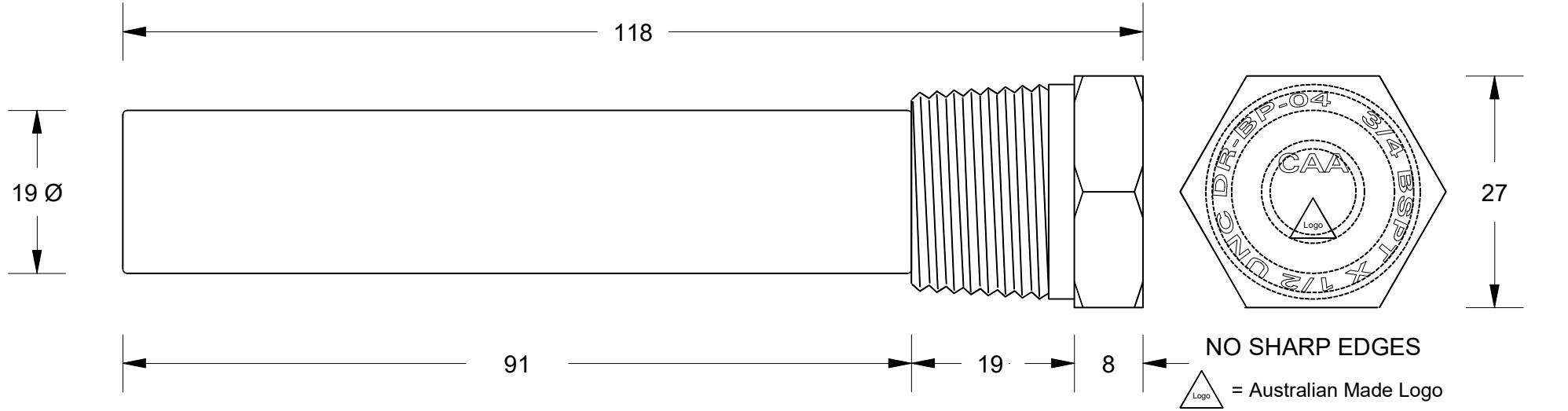
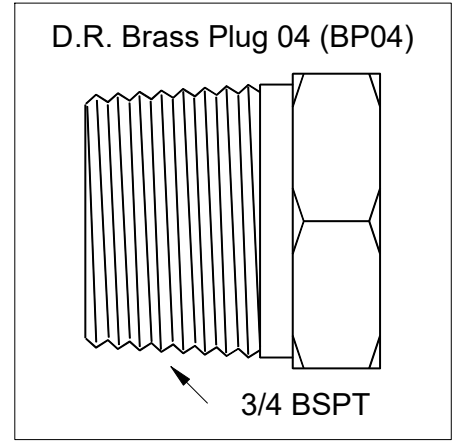
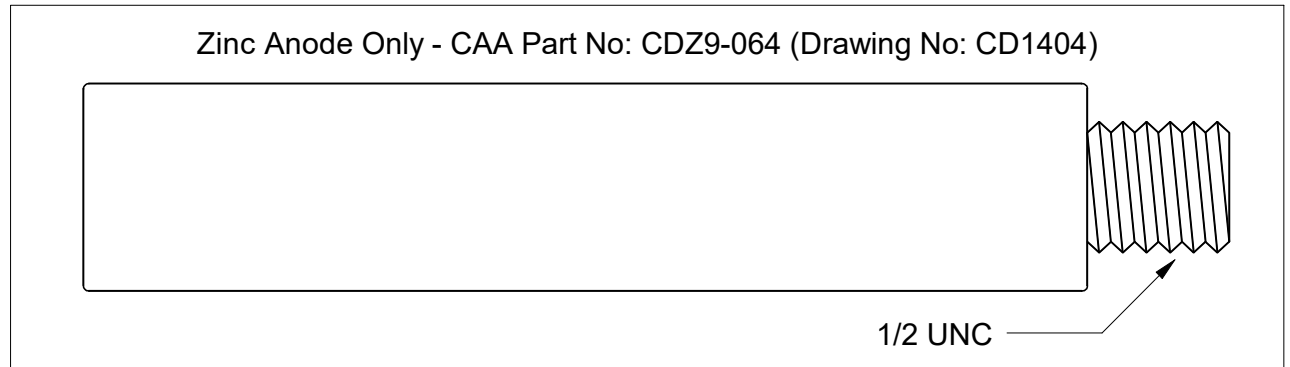


COMBINATION SET - Individual Components Shown At Top - Plug Material: DEZINCIFICATION RESISTANT BRASS

This drawing is the property of Cathodic Anodes Australasia. To be used with permission only. This drawing becomes an uncontrolled document once issued as hard or electronic copy. Customer to confirm current revision of drawing prior to ordering.



Chemical Composition Limits			Alloy: Z1
Standard: AS2239* (Most current revision)			
Zinc			
Element	min.	max.	
Cadmium	0.025	0.07	
Aluminium	0.10	0.50	
Silicon	-	0.005	
Copper	-	0.005	
Iron	-	0.005	
Lead	-	0.006	
Other Impurities			
- each	-	0.005	
- total	-	0.02	
Zinc	remainder		

* Corresponds to MIL-DTL-18001L alloy composition

- Notes
1. Anodes are cast to comply with CAA's standard casting tolerances
 2. All sharp edges removed for safe handling
 3. Anode insert material to meet relevant Australian/International specifications



Rev	Details of Change(s)	Date	Drawn	Verified
1	Cathodic Diecasting Original	06 June 2011	R.N.	R.G.
2	2013 Catalogue Version (CAA Logo)	14 April 2015	R.N.	R.G.
3	Stamping & Logo added to DR Brass Plug	10 Nov 2020	R.N.	R.G.

Nett Weight Kg (nominal)	Gross Weight Kg (nominal)
0.180	0.280

CAA
Cathodic Anodes Australasia
cathodicanodes.com.au

Product Zinc Anode & DR Brass Plug			
Part no. CDZ9-114		Scale 1.5 : 1	
Drawing No: CD2117		Rev 3	Sheet 1 of 1
Drawn by: R Northey		Date: 10 NOV 2020	

All dimensions are in mm (nominal)