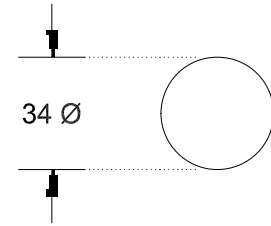
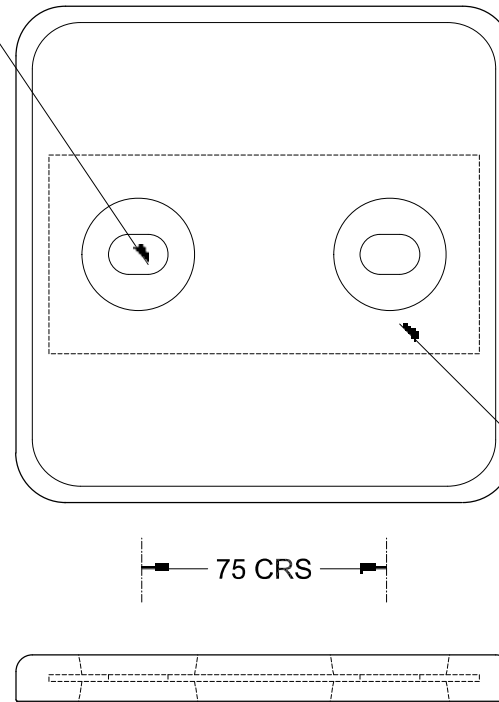
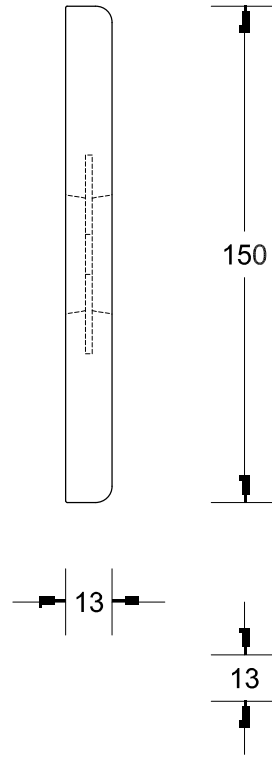
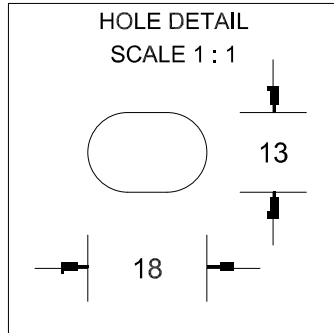


This drawing is the property of Cathodic Anodes Australasia. To be used with permission only. This drawing becomes an uncontrolled document once issued as hard or electronic copy. Customer to confirm current revision of drawing prior to ordering.

2 x (13 Ø x 28) SLOTTED HOLES @ 75 mm CENTRES



Galvanised Steel Insert
Approx 130 x 60 x 2 mm

All dimensions are in mm (nominal)

Chemical Composition Limits		Alloy:
Standard: AS2239* (Most current revision)		Z1
Element	min.	max.
Cadmium	0.025	0.07
Aluminium	0.10	0.50
Silicon	-	0.005
Copper	-	0.005
Iron	-	0.005
Lead	-	0.006
Other Impurities		
- each	-	0.005
- total	-	0.02
Zinc	remainder	

* Corresponds to MIL-DTL-18001L alloy composition

Notes

- Anodes are cast to comply with CAA's standard casting tolerances
- All sharp edges removed for safe handling
- Anode insert material to meet relevant Australian/International specifications

Rev	Details of Change(s)	Date	Drawn	Verified
1	Cathodic Diecasting Original	12 January 2011	B.L.	R.G.
2	2013 Catalogue Version (CAA Logo)	30 January 2014	R.N.	R.G.

Nett Weight Kg (nominal)	Gross Weight Kg (nominal)
1.60	1.80



Product Zinc Anode	
Part no. CDZ1-66-500H	Scale 1 : 2
Drawing No: CD1466	Rev Sheet 2 1 of 1
Drawn by: R Northey Date: 30 JAN 2014	

