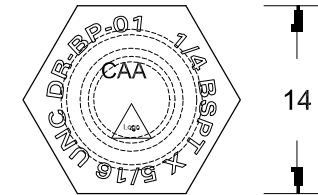
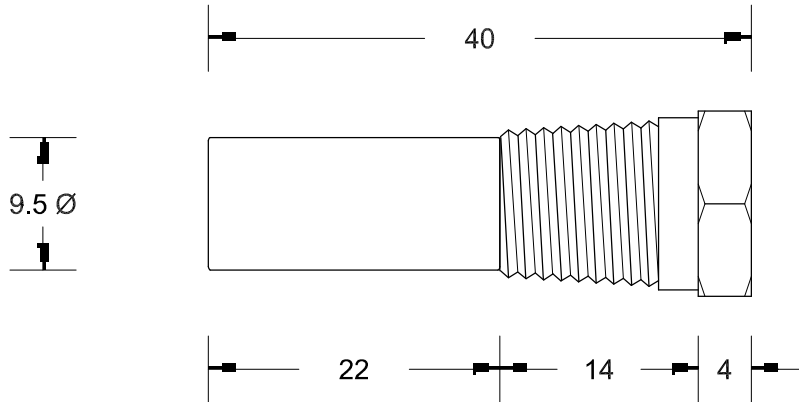
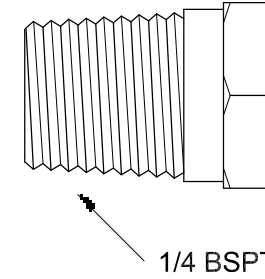
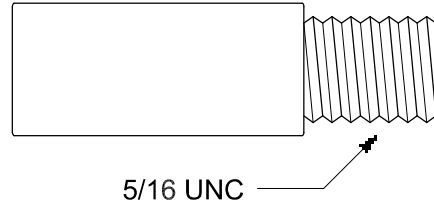


COMBINATION SET - Individual Components Shown At Top - Plug Material: DEZINCIFICATION RESISTANT BRASS

This drawing is the property of Cathodic Anodes Australasia. To be used with permission only. This drawing becomes an uncontrolled document once issued as hard or electronic copy. Customer to confirm current revision of drawing prior to ordering.

Zinc Anode Only - CAA Part No: CDZ9-146 (Drawing No: CD1306)

D.R. Brass Plug 01 (BP01)



NO SHARP EDGES

 = Australian Made Logo

All dimensions are in mm (nominal)

Chemical Composition Limits		Alloy: Z1
Standard: AS2239* (Most current revision)		
Zinc		
Element	min.	max.
Cadmium	0,025	0,07
Aluminium	0,10	0,50
Silicon	-	0,005
Copper	-	0,005
Iron	-	0,005
Lead	-	0,006
Other Impurities		
- each	-	0,005
- total	-	0,02
Zinc		remainder

* Corresponds to MIL-DTL-18001L alloy composition

Notes

1. Anodes are cast to comply with CAA's standard casting tolerances
2. All sharp edges removed for safe handling
3. Anode insert material to meet relevant Australian/International specifications



Rev	Details of Change(s)	Date	Drawn	Verified
1	Cathodic Diecasting Original	16 Dec 2009	B.L.	R.G.
2	2013 Catalogue Version (CAA Logo)	07 April 2015	R.N.	R.G.
3	Stamping & Logo added to DR Brass Plug	10 Nov 2020	R.N.	R.G.

Nett Weight Kg (nominal)	Gross Weight Kg (nominal)
0.010	0.025

CAA
Cathodic Anodes Australasia
cathodicanodes.com.au

Product Zinc Anode & DR Brass Plug	
Part no. CDZ9-147	Scale 2 : 1
Drawing No: CD1309	Rev Sheet 3 1 of 1
Drawn by: R Northey Date: 10 NOV 2020	