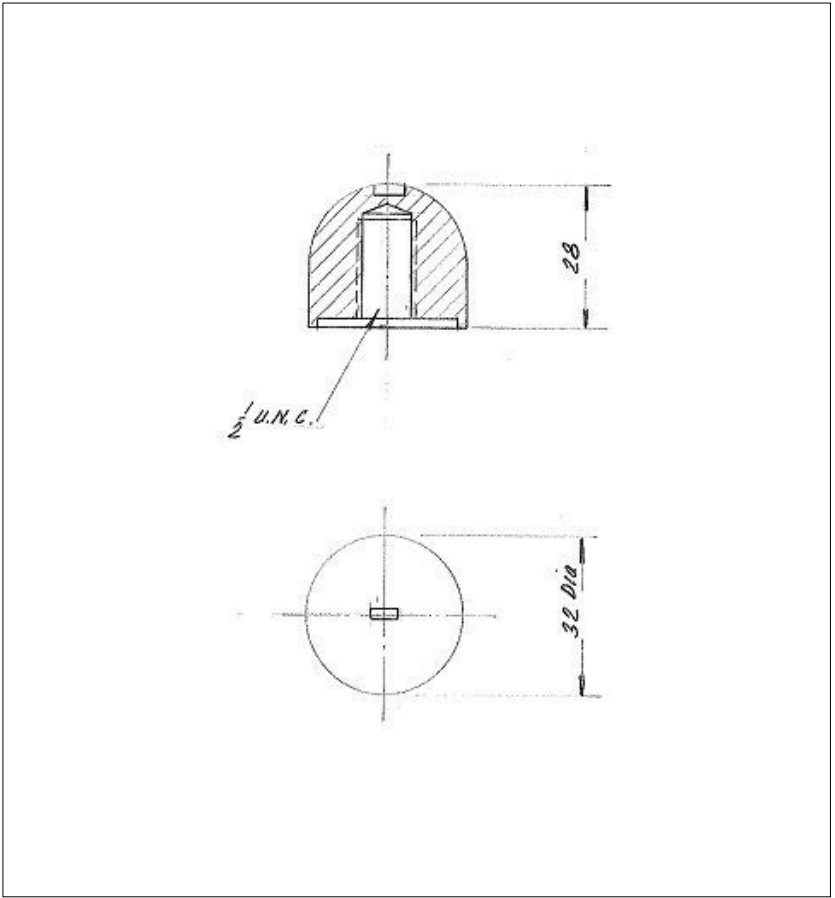


This drawing is the property of Cathodic Anodes Australasia. To be used with permission only. This drawing becomes an uncontrolled document once issued as hard or electronic copy. Customer to confirm current revision of drawing prior to ordering.





**Nut Anode**  
Replaces Genuine Part: 55989

- Notes
1. Anodes are cast to comply with CAA's standard casting tolerances
  2. All sharp edges removed for safe handling
  3. Anode insert material to meet relevant Australian/International specifications

All dimensions are in mm (nominal)

Chemical Composition Limits			Alloy: <b>24779A</b>
Element	min.	max.	
Standard: MIL-DTL-24779A(SH)			
Aluminium	(Most current revision)		
Zinc	4.0	6.5	
Indium	0.014	0.020	
Mercury	-	0.001	
Silicon	0.08	0.20	
Iron	-	0.090	
Copper	-	0.004	
Tin	-	0.001	
Aluminium	remainder		

Rev	Details of Change(s)	Date	Nett Weight		Gross Weight	
			Kg (nominal)		Kg (nominal)	
			<b>0.040</b>		<b>0.040</b>	
1	Cathodic Diecasting Original	06 Oct 2008		B.L.	R.G.	
2	2013 / 2019 Catalogue Version (CAA Logo)	21 Aug 2020		R.N.	R.G.	

 <b>Cathodic Anodes Australasia</b>  <a href="http://cathodicanodes.com.au">cathodicanodes.com.au</a>		Product	
		<b>Aluminium Anode</b>	
Part no.		Scale	
<b>CDA9-023</b>		<b>NTS</b>	
Drawing No: <b>CD1094</b>		Rev	Sheet
		<b>2</b>	<b>1 of 1</b>
Drawn by: R Northey Date: 21 AUG 2020			
Mould No: X Tooling:			